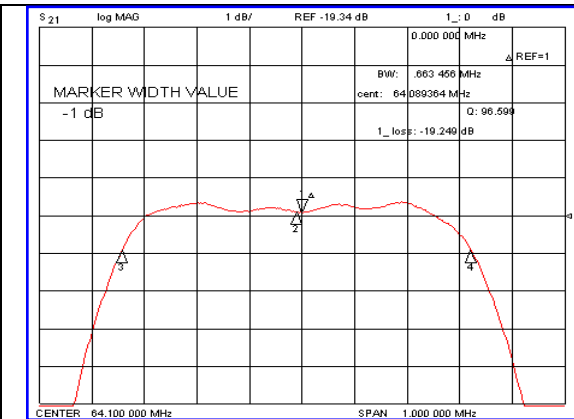
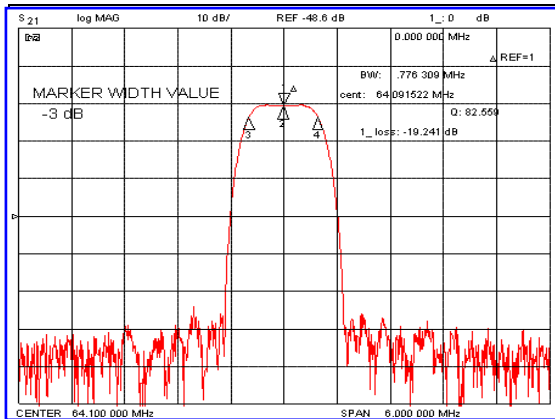


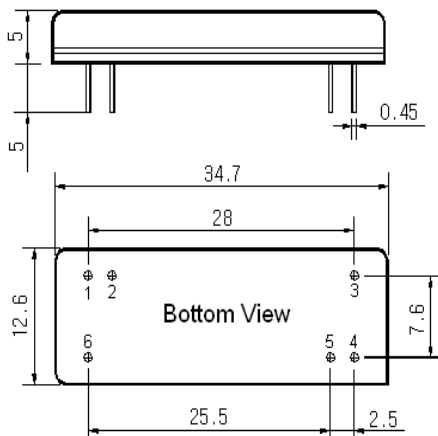
## Typical Performance



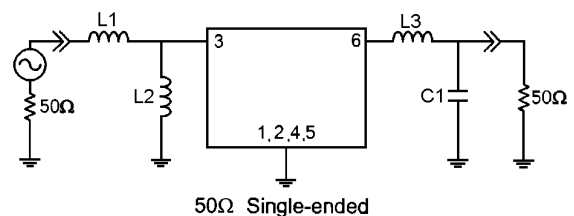
## Specification

Parameter	Unit	Min.	Typ.	Max.
Center Frequency	MHz	64.02	64.10	64.18
Insertion Loss	dB	-	19.50	22.00
1dB Bandwidth	MHz	-	0.66	-
3dB Bandwidth	MHz	0.70	0.77	-
20dB Bandwidth	MHz	-	1.12	2.00
40dB Bandwidth	MHz	-	1.28	-
Passband Ripple	dB	-	0.30	1.00
Group Delay Variation	nsec	-	280	350
Absolute Delay	μsec	-	3.92	-
Ultimate Attenuation	dB	50	53	-
Substrate Material	-	Quartz		
Temperature Coefficient	ppm/°C	-0.03		

## Package Dimension



## Matching Configuration



L1=L3=180nH, L2=390nH, C1=82pF  
 Source / Load Impedance = 50Ω  
 Ambient Temperature = 25°C

Rev0. 071130

