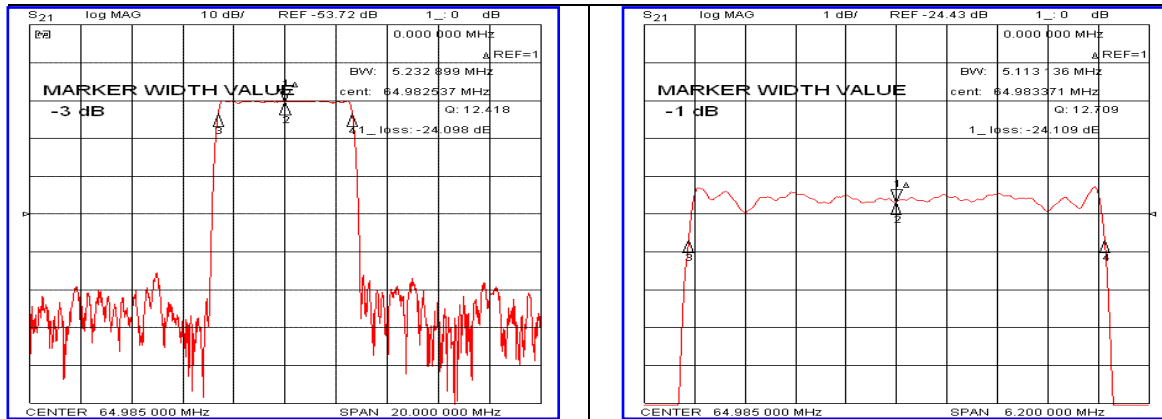


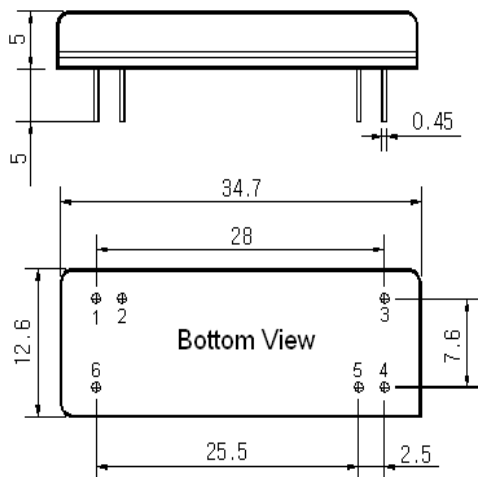
Typical Performance



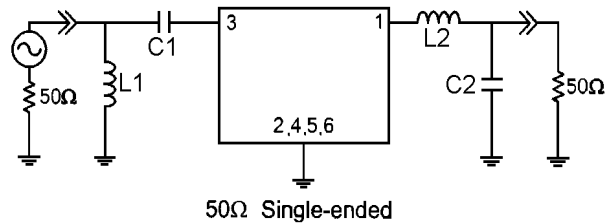
Specification

Parameter	Unit	Min.	Typ.	Max.
Center Frequency	MHz	-	64.985	-
Insertion Loss	dB	-	24.20	26.50
1dB Bandwidth	MHz	5.00	5.11	-
40dB Bandwidth	MHz	-	5.82	5.95
Passband Ripple( $F_c \pm 2.46$ MHz)	dB	-	0.68	1.20
Relative Attenuation 67.995MHz Point	dB	-	45	-
Absolute Delay	usec	-	3.75	-
Ultimate Attenuation	dB	40	45	-
Substrate Material	-	112-LiTaO <sub>3</sub>		
Temperature Coefficient	ppm/°C	-20		

Package Dimension



Matching Configuration



L1=47nH, L2=82nH, C1=430pF, C2=75pF  
Source / Load Impedance = 50Ω  
Ambient Temperature = 25°C

Rev.0 120418

