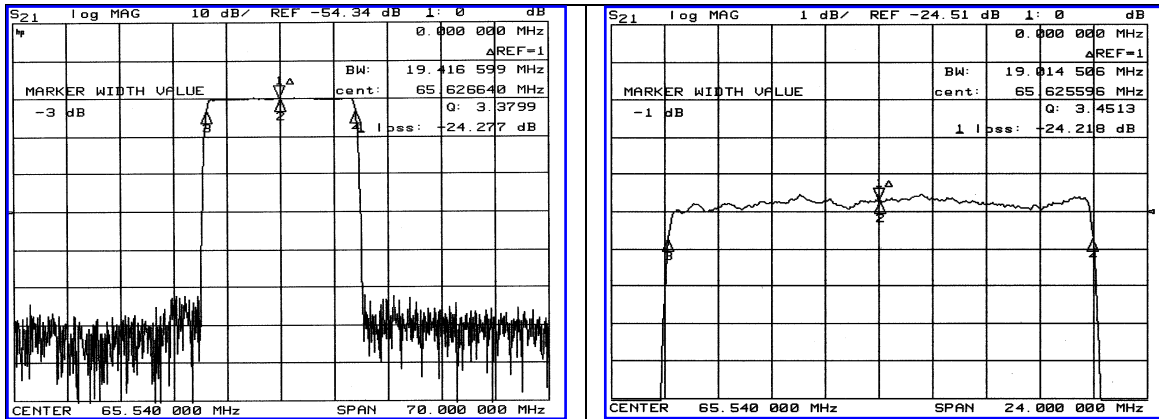


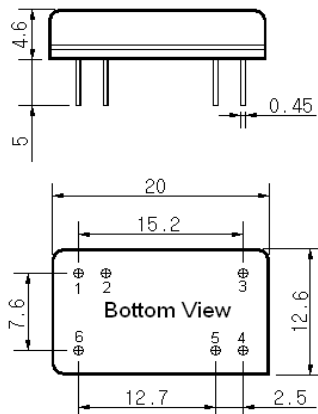
Typical Performance



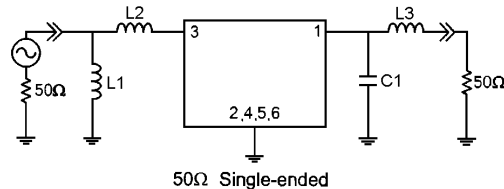
Specification

Parameter	Unit	Min.	Typ.	Max.
Center Frequency	MHz	-	65.54	-
Insertion Loss	dB	-	24.50	25.50
1dB Bandwidth	MHz	18.90	19.00	-
3dB Bandwidth	MHz	19.30	19.40	-
35dB Bandwidth	MHz	-	20.84	20.90
40dB Bandwidth	MHz	-	20.93	21.00
Passband Ripple (58 ~ 73MHz)	dB	-	0.45	0.70
Group Delay Variation	nsec	-	30	80
Absolute Delay	µsec	-	2.2	-
Ultimate Attenuation	dB	50	55	-
Substrate Material	-	128-LiNbO ₃		
Temperature Coefficient	ppm/°C	-72		

Package Dimension



Matching Configuration



L1=470nH, L2=150nH, L3=150nH, C1=8.2pF
 Source / Load Impedance = 50Ω
 Ambient Temperature = 25°C

04/22/2005

