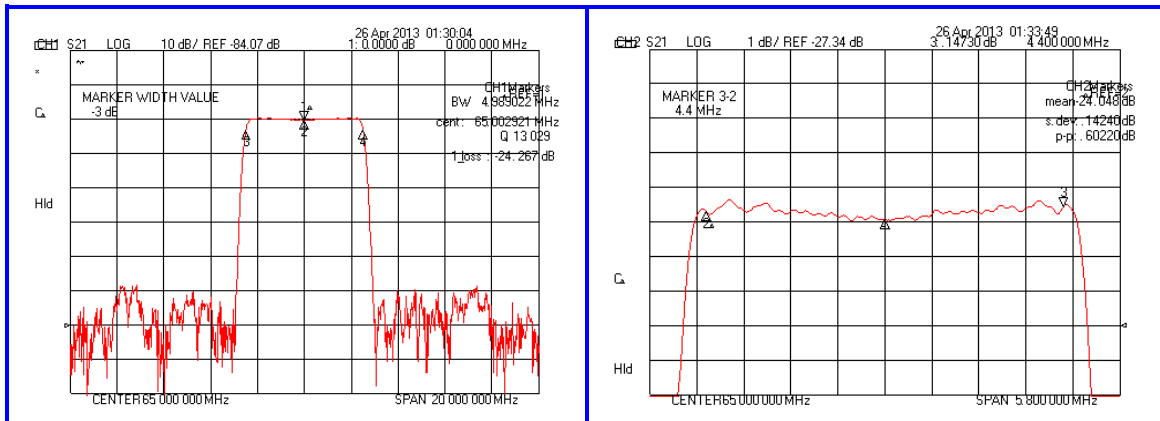


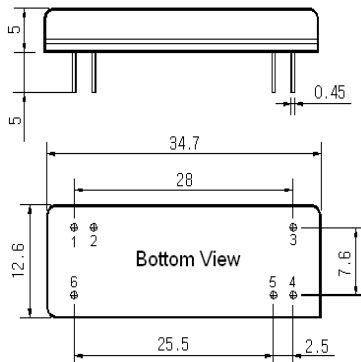
Typical Performance



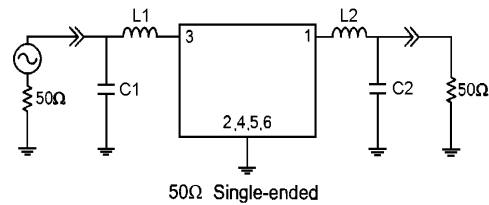
Specification

Parameter	Unit	Min.	Typ.	Max.
Center Frequency	MHz	64.92	65.00	65.08
Insertion Loss	dB	-	24.26	27.00
1dB Bandwidth	MHz	4.60	4.84	-
10dB Bandwidth	MHz	-	4.98	-
20dB Bandwidth	MHz	-	5.45	-
40dB Bandwidth	MHz	-	5.71	5.90
Out of Band Gain	-	-	-	-
Fc ± 2.2MHz ± 600KHz Point	dB	10	30	-
Fc ± 2.2MHz ± 800KHz Point	dB	20	50	-
Amplitude Ripple(Fc ± 2.2MHz)	dB	-	0.60	1.50
Absolute Delay	µsec	-	3.18	-
Group Delay Variation	nsec	-	100	200
Ultimate Attenuation	dB	40	45	-
Substrate Material / T.C.F	ppm/°C	112-LiTaO ₃ / -20		
Package	mm	35 X 12 (DIP)		

Package Dimension



Matching Configuration



L1=68nH, L2=68nH, C1=150pF, C2=120pF
 Source / Load Impedance = 50Ω
 Ambient Temperature = 25°C

Rev.0 130429

