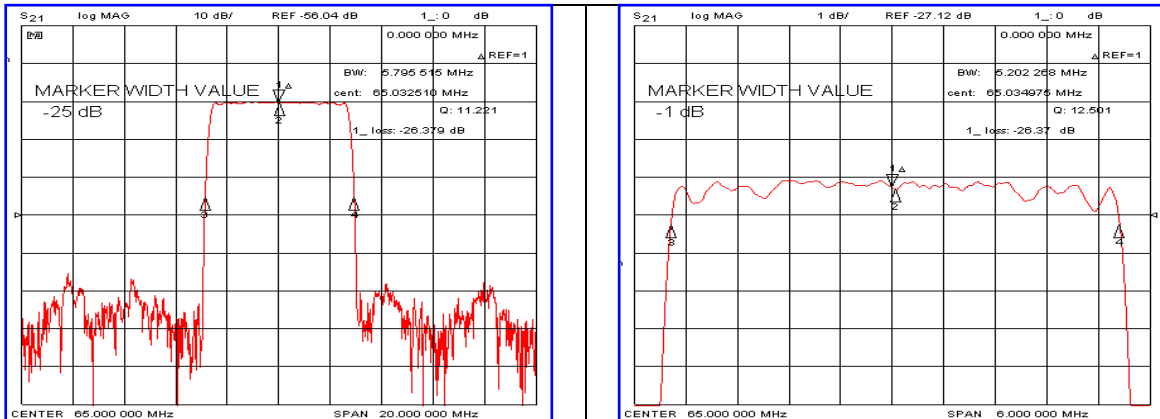


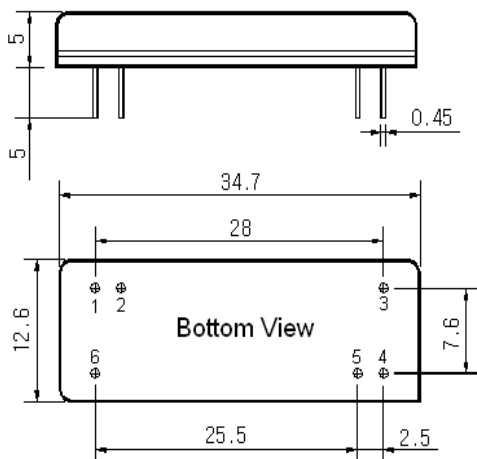
### Typical Performance



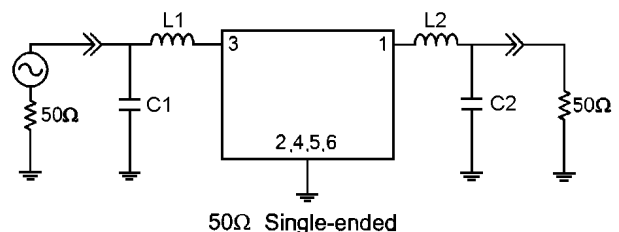
### Specification

Parameter	Unit	Min.	Typ.	Max.
Center Frequency	MHz	54.90	65.00	65.10
Insertion Loss	dB	-	26.50	28.00
1dB Bandwidth	MHz	5.00	5.20	-
25dB Bandwidth	MHz	-	5.79	5.90
40dB Bandwidth	MHz	-	5.91	-
Passband Ripple ( $\Delta F_c \pm 2.5\text{MHz}$ )	dB	-	0.85	1.50
Group Delay Variation ( $\Delta F_c \pm 2.5\text{MHz}$ )	nsec	-	250	400
Absolute Delay	usec	-	4.17	-
Ultimate Attenuation	dB	-	45	-
Substrate Material	-	112-LiTaO <sub>3</sub>		
Temperature Coefficient	ppm/°C	-20		

### Package Dimension



### Matching Configuration



L1=68nH, L2=68nH, C1=100pF, C2=91pF  
 Source / Load Impedance = 50Ω  
 Ambient Temperature = 25°C

Rev.0 100716

