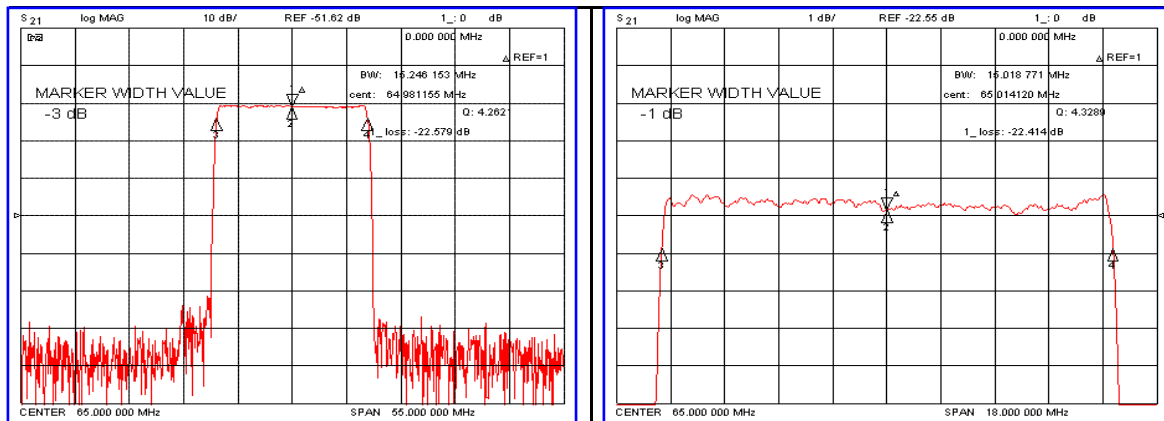


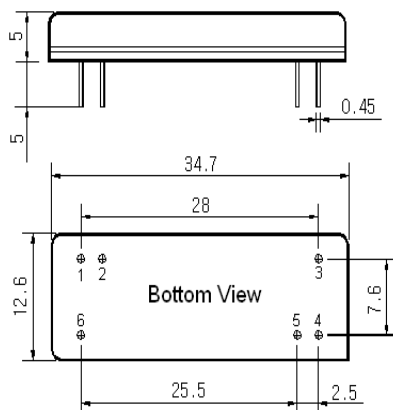
Typical Performance



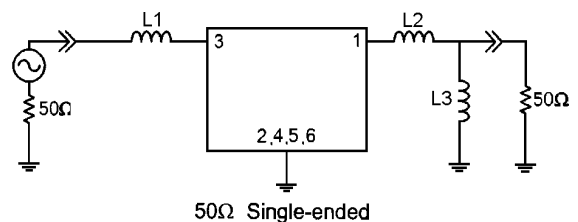
Specification

Parameter	Unit	Min.	Typ.	Max.
Center Frequency (Fc)	MHz	64.92	65.00	65.08
Insertion Loss	dB	-	22.5	25.00
1dB Bandwidth	MHz	-	15.01	-
3dB Bandwidth	MHz	15.10	15.24	-
45dB Bandwidth	MHz	-	16.37	16.50
Passband Ripple	dB	-	0.55	1.00
Group Delay Variation	nsec	-	60	100
Absolute Delay	μsec	-	2.80	-
Ultimate Attenuation	dB	50	55	-
Substrate Material	-	128-LiNbO ₃		
Temperature Coefficient	ppm/°C	-72		

Package Dimension



Matching Configuration



L1=180nH, L2=68nH, L3=270nH,
 Source / Load Impedance = 50Ω
 Ambient Temperature = 25°C

09/25/2006

