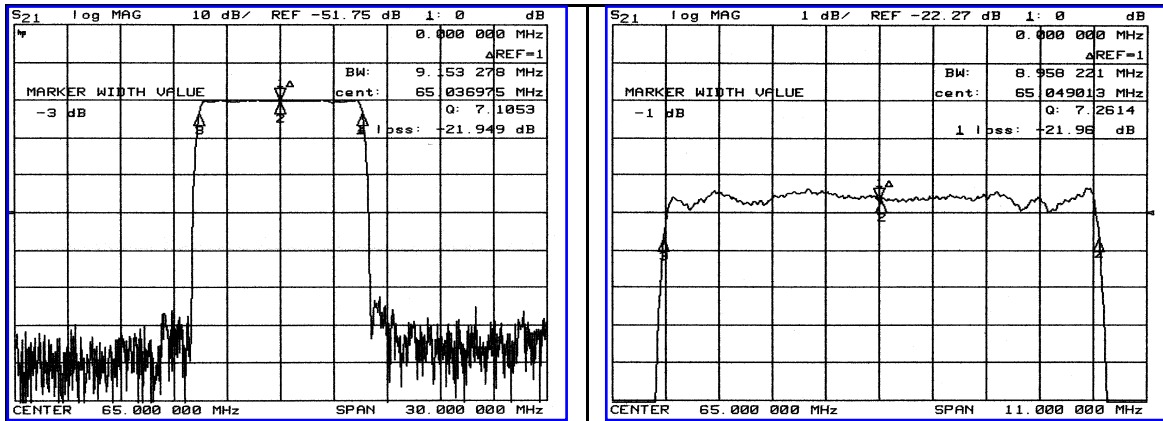


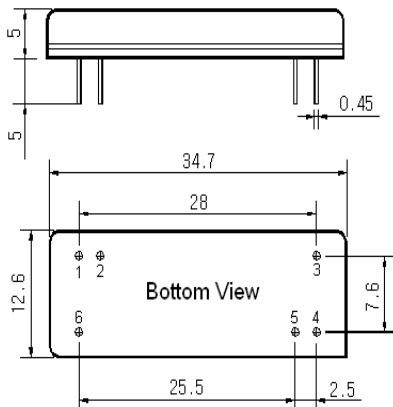
Typical Performance



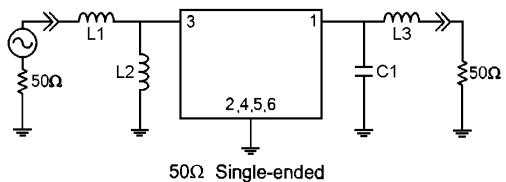
Specification

Parameter	Unit	Min.	Typ.	Max.
Center Frequency	MHz	64.92	65.00	65.08
Insertion Loss	dB	-	22.00	24.00
1dB Bandwidth	MHz	-	8.96	-
3dB Bandwidth	MHz	9.10	9.15	-
40dB Bandwidth	MHz	-	9.98	10.10
Passband Ripple	dB	-	0.75	1.00
Group Delay Variation	nsec	-	50	100
Absolute Delay	μsec	-	4.43	-
Ultimate Attenuation	dB	50	55	-
Substrate Material	-	128-LiNbO <sub>3</sub>		
Temperature Coefficient	ppm/°C	-72		

Package Dimension



Matching Configuration



L1=56nH, L2=270nH, L3=82nH, C1=22pF  
Source / Load Impedance = 50Ω  
Ambient Temperature = 25°C

09/24/2005

