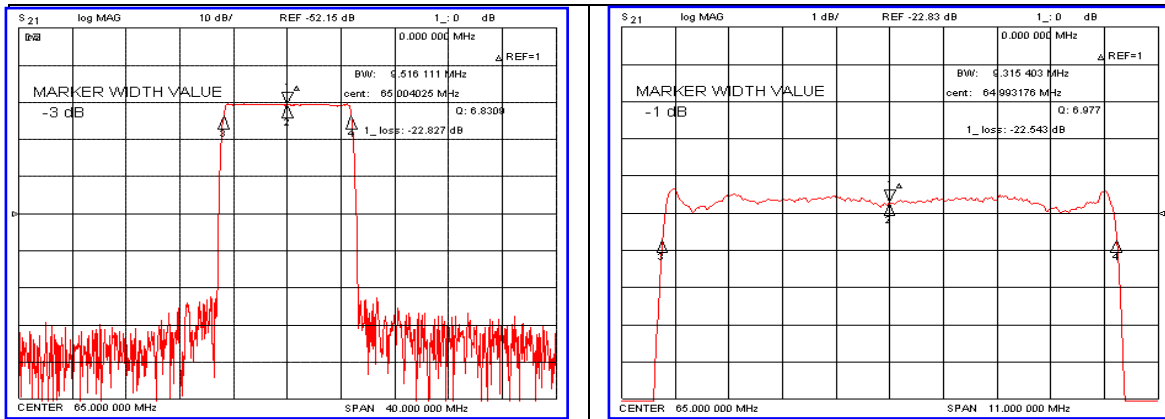


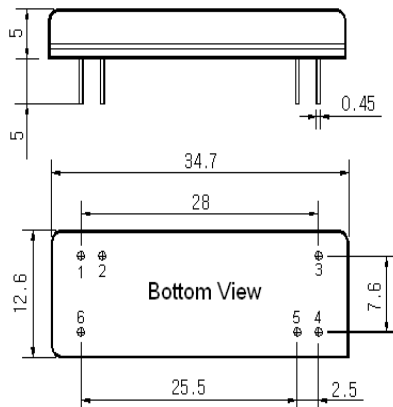
Typical Performance



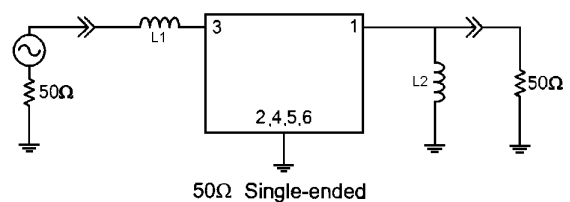
Specification

Parameter	Unit	Min.	Typ.	Max.
Center Frequency (Fc)	MHz	64.92	65.00	65.08
Insertion Loss	dB	-	23.00	25.00
1dB Bandwidth	MHz	-	9.31	-
3dB Bandwidth	MHz	9.40	9.51	-
40dB Bandwidth	MHz	-	10.36	10.50
Passband Ripple	dB	-	0.65	1.00
Group Delay Variation	nsec	-	84	120
Absolute Delay	µsec	-	3.38	-
Ultimate Attenuation	dB	50	55	-
Substrate Material	-	128-LiNbO ₃		
Temperature Coefficient	ppm/°C	-72		

Package Dimension



Matching Configuration



L1=L4=220nH, L2=L3=47nH
 Source / Load Impedance = 50Ω
 Ambient Temperature = 25°C

10/18/2006

