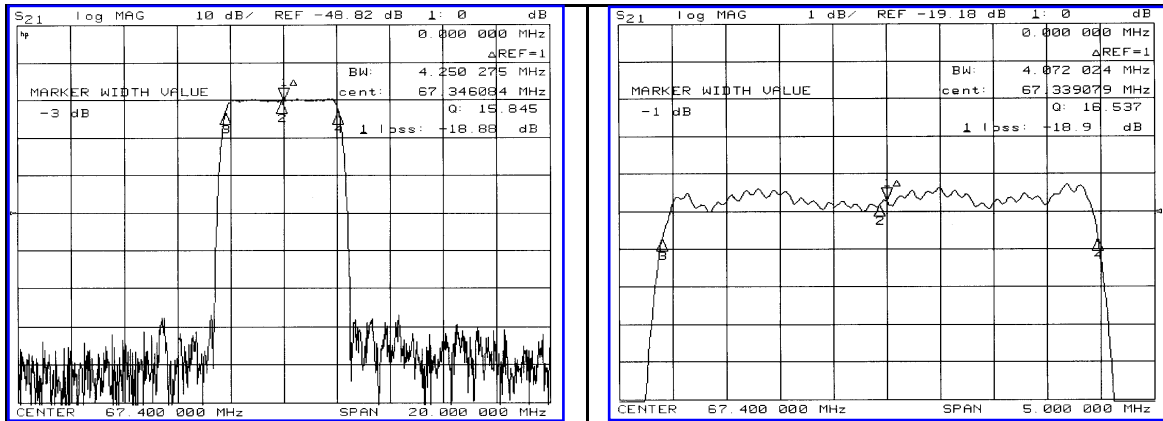


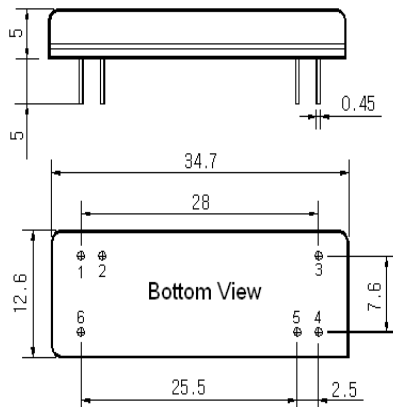
### Typical Performance



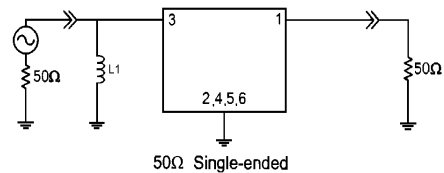
### Specification

Parameter	Unit	Min.	Typ.	Max.
Center Frequency	MHz	67.32	67.40	67.48
Insertion Loss	dB	-	19.00	21.00
1dB Bandwidth	MHz	-	4.07	-
3dB Bandwidth	MHz	-	4.25	-
50dB Bandwidth	MHz	-	5.07	-
Passband Ripple	dB	-	0.85	1.00
Group Delay Variation	nsec	-	250	350
Absolute Delay	μsec	-	3.87	-
Ultimate Attenuation	dB	50	53	-
Substrate Material	-	YZ-LiNbO <sub>3</sub>		
Temperature Coefficient	ppm/°C	-94		

### Package Dimension



### Matching Configuration



L1=220nH  
 Source / Load Impedance = 50Ω  
 Ambient Temperature = 25°C

05/04/2006

