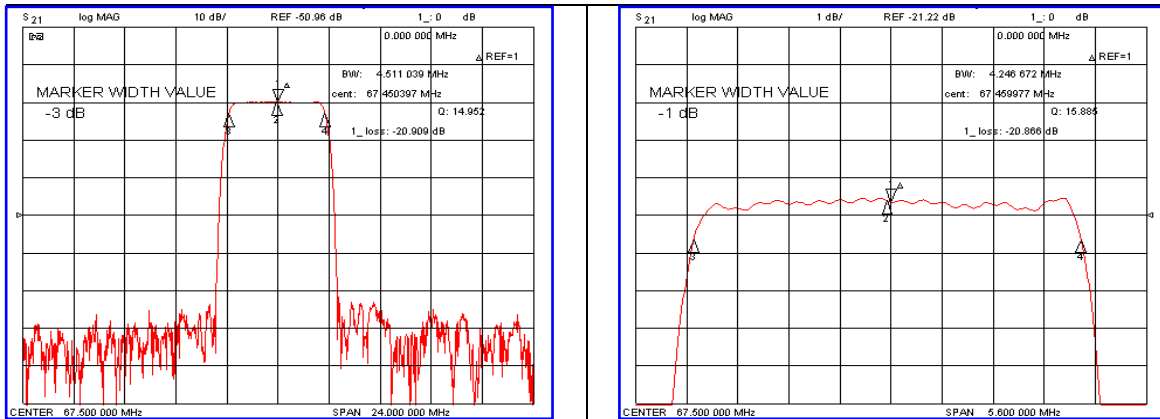


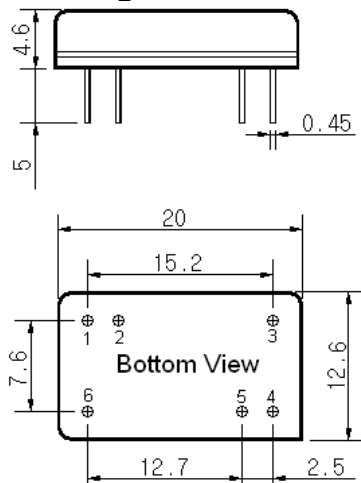
## Typical Performance



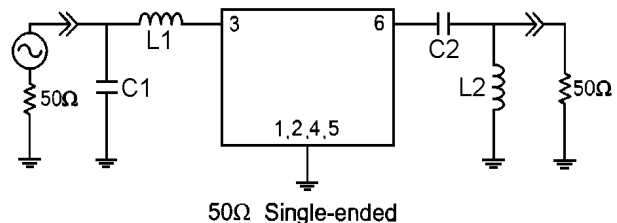
## Specification

Parameter	Unit	Min.	Typ.	Max.
Center Frequency	MHz	-	67.50	-
Insertion Loss	dB	-	20.90	22.50
1dB Bandwidth	MHz	-	4.24	-
3dB Bandwidth	MHz	4.40	4.51	-
40dB Bandwidth	MHz	-	5.60	5.70
Passband Ripple( $F_c \pm 1.85\text{MHz}$ )	dB	-	0.40	1.00
Group Delay Variation( $F_c \pm 1.85\text{MHz}$ )	nsec	-	120	200
Absolute Delay	$\mu\text{sec}$	-	2.17	-
Ultimate Attenuation	dB	48	52	-
Substrate Material	-	112- LiTaO <sub>3</sub>		
Temperature Coefficient	ppm/ $^{\circ}\text{C}$	-20		

## Package Dimension



## Matching Configuration



L1=82nH, L2=56nH, C1=92pF, C2=360pF  
 Source / Load Impedance = 50Ω  
 Ambient Temperature = 25°C

Rev0. 090818

