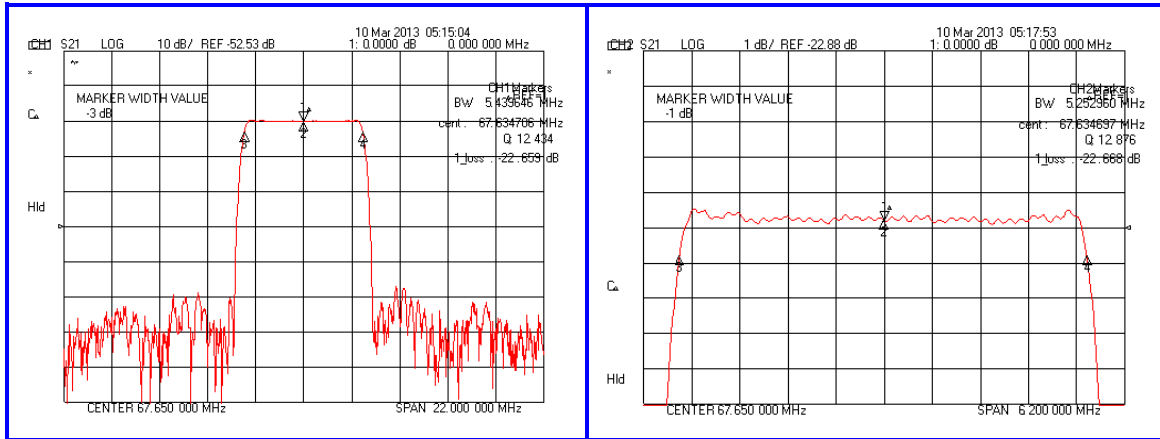


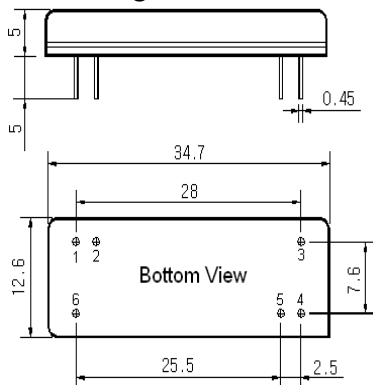
### Typical Performance



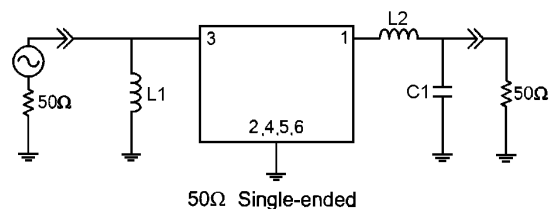
### Specification

Parameter	Unit	Min.	Typ.	Max.
Center Frequency	MHz	67.57	67.65	67.73
Insertion Loss	dB	-	22.80	25.00
1dB Bandwidth	MHz	5.10	5.25	-
3dB Bandwidth	MHz	-	5.43	-
40dB Bandwidth	MHz	-	6.35	6.45
Attenuation	dB	43	48	-
Amplitude Ripple	nsec	-	0.50	1.00
Absolute Delay	µsec	-	3.43	-
Group Delay Variation	dB	-	100	200
Substrate Material	-	112-LiTaO <sub>3</sub>		
Temperature Coefficient	ppm/°C	-20		
Package	mm	35*12mm(DIP)		

### Package Dimension



### Matching Configuration



L1=27nH, L2=68nH, C1=110pF  
 Source / Load Impedance = 50Ω  
 Ambient Temperature = 25°C

Rev0. 130314

