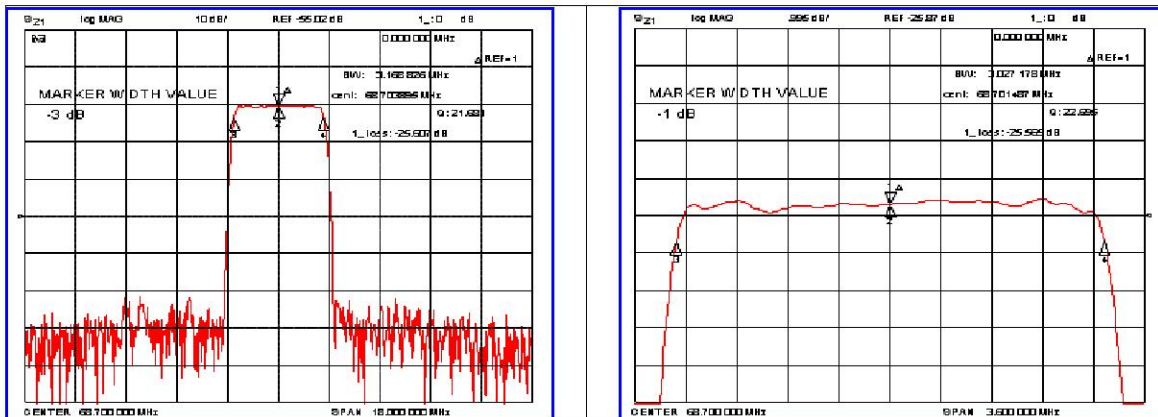


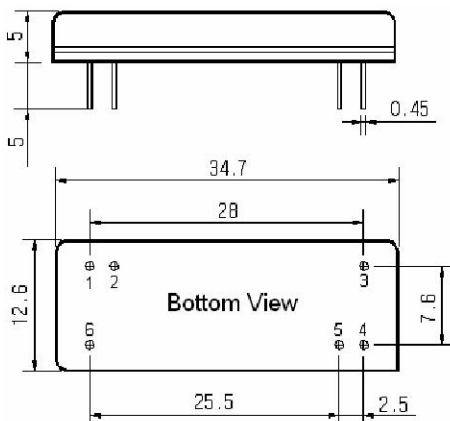
Typical Performance



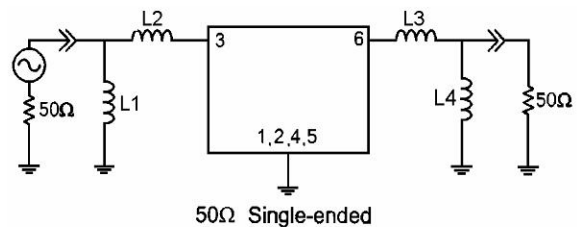
Specification

Parameter	Unit	Min.	Typ.	Max.
Center Frequency	MHz	68.62	68.70	68.78
Insertion Loss	dB	-	25.60	27.00
1dB Bandwidth	MHz	2.95	3.02	-
3dB Bandwidth	MHz	-	3.16	-
20dB Bandwidth	MHz	-	3.57	3.63
40dB Bandwidth	MHz	-	3.77	-
Passband Ripple	dB	-	0.40	1.00
Group Delay Variation	nsec	-	170	200
Absolute Delay	usec	-	4.26	-
Ultimate Attenuation	dB	48	52	-
Substrate Material	-	Quartz		
Temperature Coefficient	ppm/°C	-0.03		

Package Dimension



Matching Configuration



L1=L4=82nH, L2=L3=180nH
 Source / Load Impedance = 50Ω
 Ambient Temperature = 25°C

Rev.0 080502

