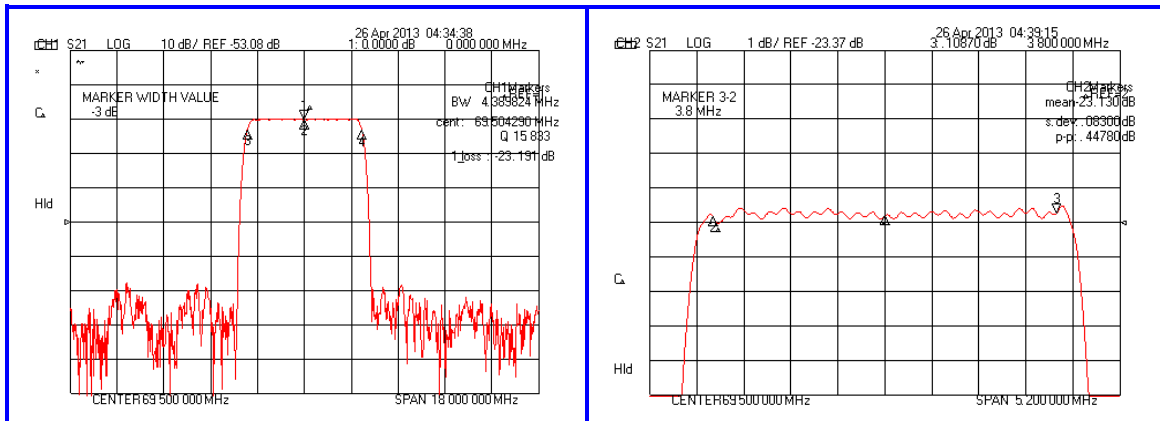


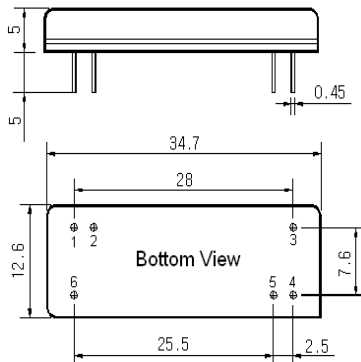
#### Typical Performance



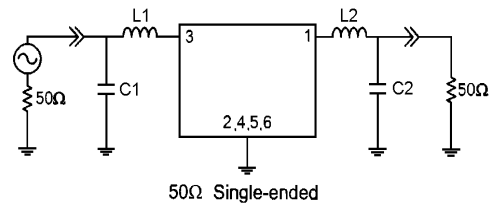
#### Specification

Parameter	Unit	Min.	Typ.	Max.
Center Frequency	MHz	69.42	69.50	69.58
Insertion Loss	dB	-	23.19	25.50
1dB Bandwidth	MHz	4.00	4.23	-
10dB Bandwidth	MHz	-	4.66	-
20dB Bandwidth	MHz	-	4.86	-
40dB Bandwidth	MHz	-	5.08	5.30
Out of Band Gain	-	-	-	-
Fc ± 1.9MHz ± 600KHz Point	dB	10	28	-
Fc ± 1.9MHz ± 800KHz Point	dB	20	50	-
Amplitude Ripple(Fc ± 1.9MHz)	dB	-	0.50	1.50
Absolute Delay	µsec	-	3.17	-
Group Delay Variation	nsec	-	200	300
Ultimate Attenuation	dB	40	45	-
Substrate Material / T.C.F	ppm/°C	112-LiTaO <sub>3</sub> / -20		
Package	mm	35 X 12 (DIP)		

#### Package Dimension



#### Matching Configuration



L1=47nH, L2=56nH, C1=160pF, C2=160pF  
 Source / Load Impedance = 50Ω  
 Ambient Temperature = 25°C

Rev.0 130429

