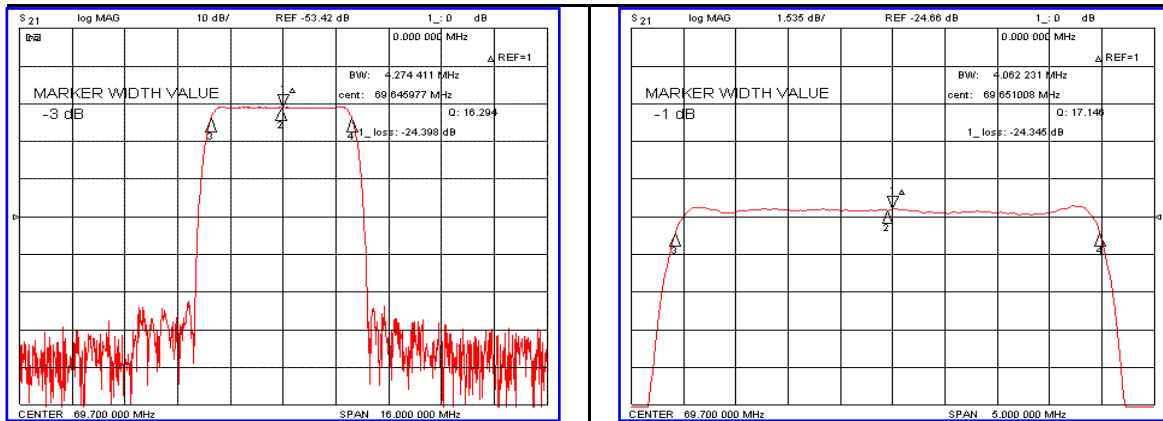


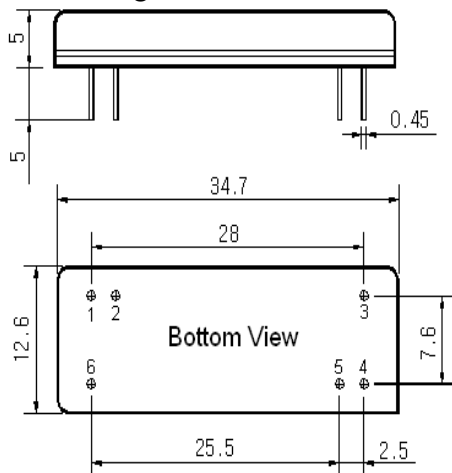
Typical Performance



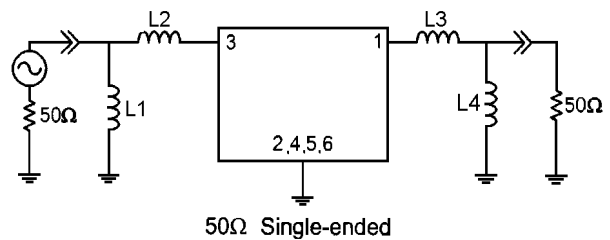
Specification

Parameter	Unit	Min.	Typ.	Max.
Center Frequency	MHz	69.62	69.70	69.78
Insertion Loss	dB	-	24.50	26.00
1dB Bandwidth	MHz	-	4.06	-
3dB Bandwidth	MHz	4.20	4.27	-
40dB Bandwidth	MHz	-	5.14	5.30
Passband Ripple	dB	-	0.50	0.80
Group Delay Variation	nsec	-	70	120
Absolute Delay	μsec	-	4.41	-
Ultimate Attenuation	dB	50	52	-
Substrate Material	-	LiTaO <sub>3</sub>		
Temperature Coefficient	ppm/°C	-20		

Package Dimension



Matching Configuration



L1=150nH, L2=56nH, L3=47nH, L4=180H  
Source / Load Impedance = 50Ω  
Ambient Temperature = 25°C

Rev 0. 080813

