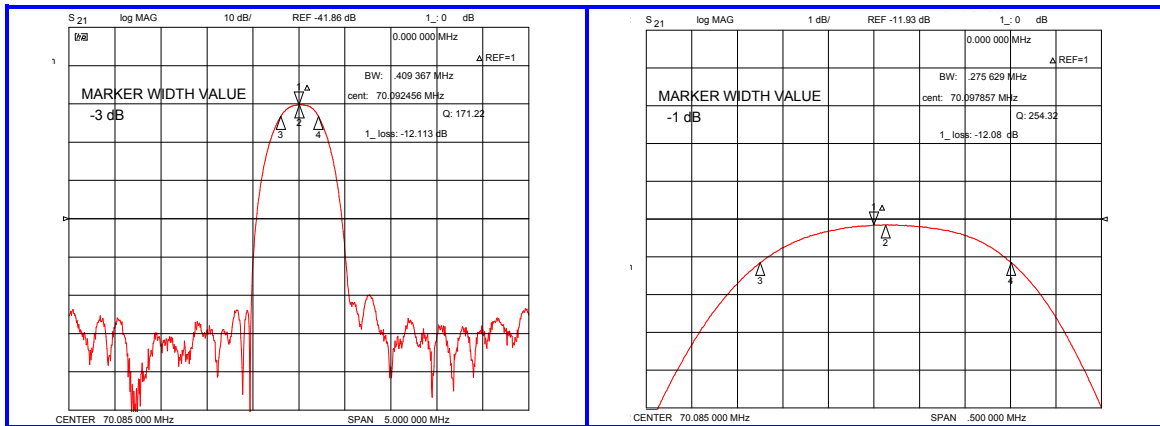


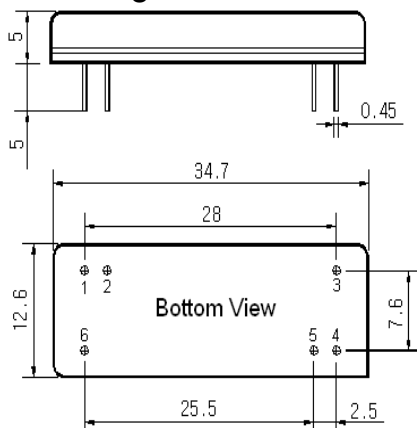
## Typical Performance



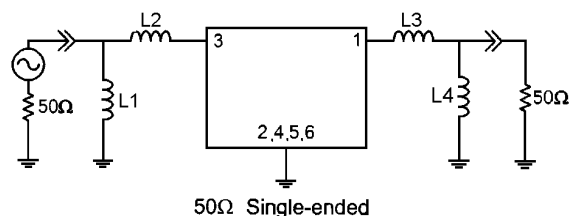
## Specification

| Parameter               | Unit   | Min.         | Typ.   | Max.   |
|-------------------------|--------|--------------|--------|--------|
| Center Frequency        | MHz    | 70.005       | 70.085 | 70.165 |
| Insertion Loss          | dB     | -            | 12.50  | 14.00  |
| 1dB Bandwidth           | MHz    | 0.17         | 0.27   | -      |
| 3dB Bandwidth           | MHz    | -            | 0.41   | -      |
| 40dB Bandwidth          | MHz    | -            | 1.00   | 1.30   |
| Attenuation             | dB     | 45           | 50     | -      |
| Amplitude Ripple        | nsec   | -            | 0.40   | 1.00   |
| Absolute Delay          | µsec   | -            | 3.65   | -      |
| Group Delay Variation   | dB     | -            | 200    | 400    |
| Substrate Material      | -      | Quartz       |        |        |
| Temperature Coefficient | ppm/°C | -0.03        |        |        |
| Package                 | mm     | 35*12mm(DIP) |        |        |

## Package Dimension



## Matching Configuration



L1=56nH, L2=120nH, L3=100nH, L4=47nH  
 Source / Load Impedance = 50Ω  
 Ambient Temperature = 25°C

Rev0. 130314

