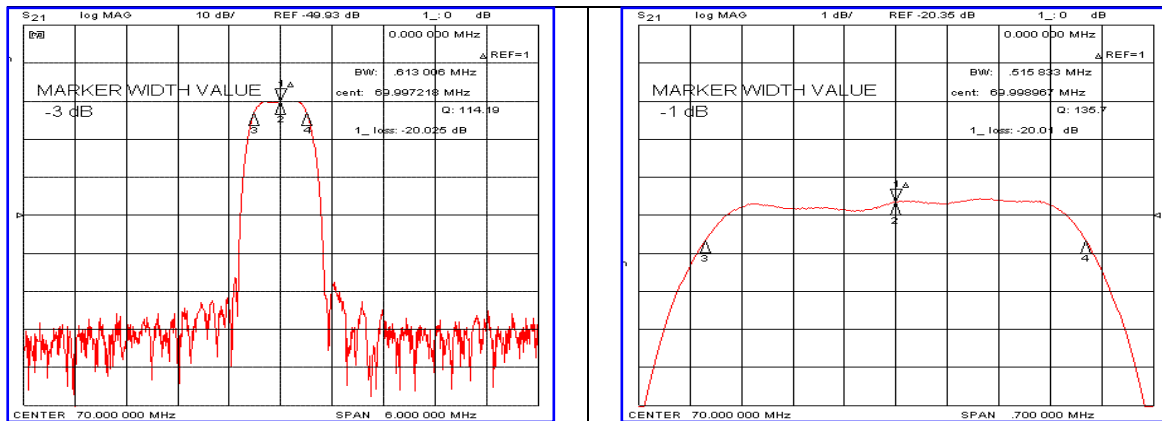


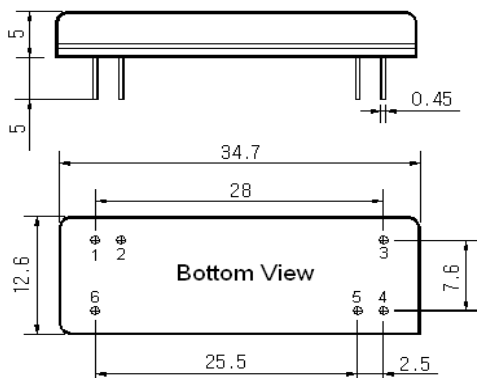
Typical Performance



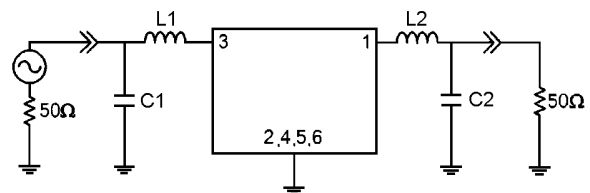
Specification

Parameter	Unit	Min.	Typ.	Max.
Center Frequency	MHz	-	70.00	-
Insertion Loss	dB	-	20.20	23.50
1dB Bandwidth	MHz	0.40	0.51	-
3dB Bandwidth	MHz	-	0.61	-
45dB Bandwidth	MHz	-	0.99	1.10
Passband Ripple(Fc±0.2MHz)	dB	-	0.55	1.20
Relative Attenuation				
1dB Band Edge±0.2MHz		10	20	-
1dB Band Edge±0.3MHz	dB	35	45	-
1dB Band Edge±0.4MHz		40	50	-
1dB Band Edge±0.5MHz		40	50	-
Group Delay Variation	nsec	-	280	400
Absolute Delay	usec	-	4.70	-
Ultimate Attenuation	dB	42	47	-
Substrate Material	-	Quartz		
Temperature Coefficient	ppm/°C	-0.03		

Package Dimension



Matching Configuration



50Ω Single-ended
L1=100nH, L2=100nH, C1=62pF, C2=82pF
Source / Load Impedance = 50Ω
Ambient Temperature = 25°C

Rev.0 100918

