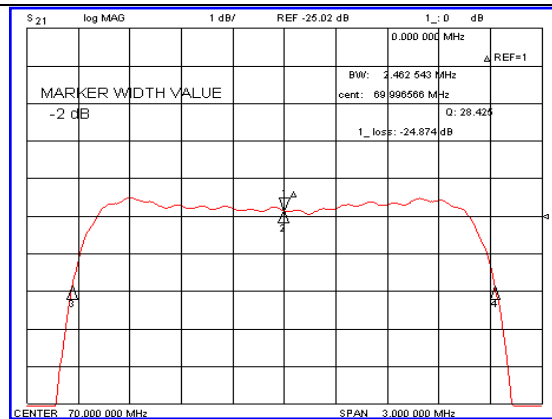
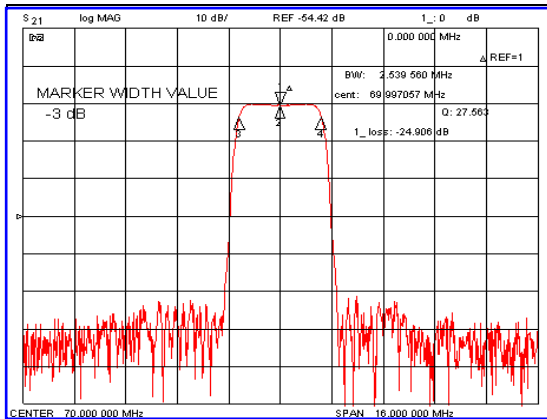


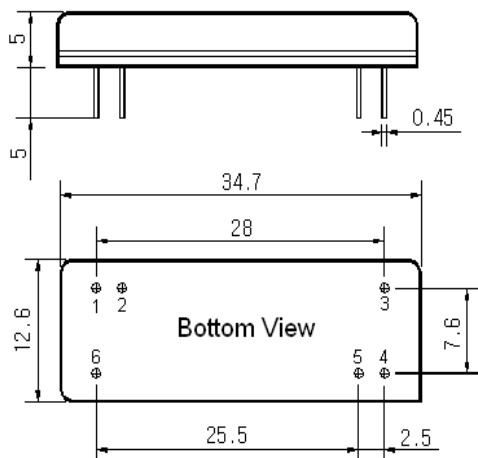
Typical Performance



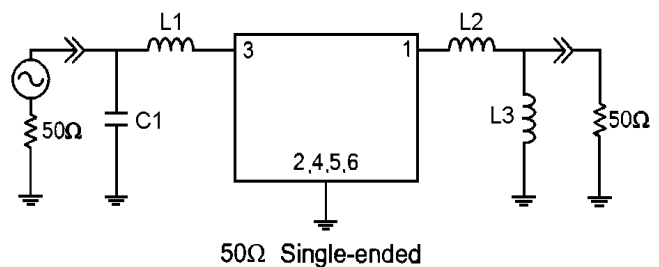
Specification

Parameter	Unit	Min.	Typ.	Max.
Center Frequency	MHz	69.92	70.00	70.08
Insertion Loss	dB	-	25.00	27.00
2dB Bandwidth	MHz	2.38	2.46	-
25dB Bandwidth	MHz	-	3.10	3.20
40dB Bandwidth	MHz	-	3.30	3.40
Passband Ripple	dB	-	0.50	1.00
Group Delay Variation	nsec	-	100	200
Absolute Delay	usec	-	3.56	-
Ultimate Attenuation	dB	48	52	-
Substrate Material	-	Quartz		
Temperature Coefficient	ppm/°C	-0.03		

Package Dimension



Matching Configuration



L1=220nH, L2=120nH, L3=39nH C1=130pF  
Source / Load Impedance = 50Ω  
Ambient Temperature = 25°C

Rev.0 091023

