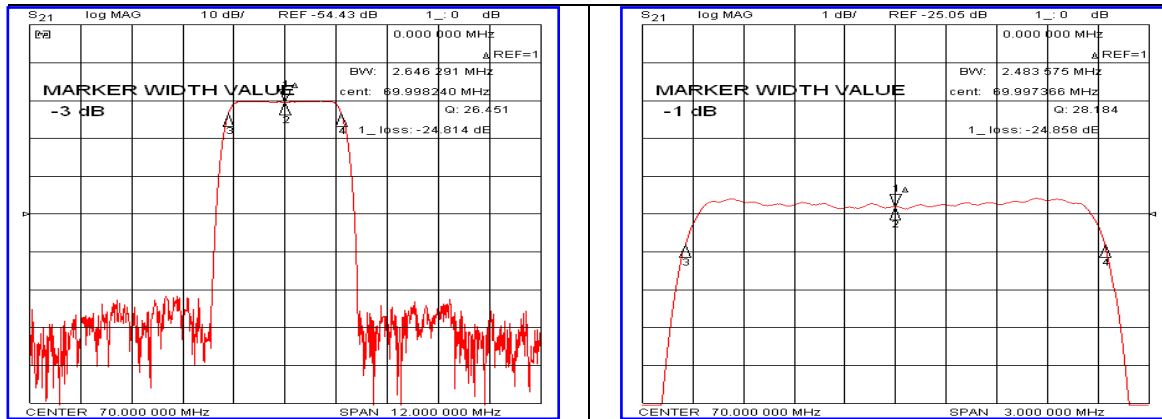


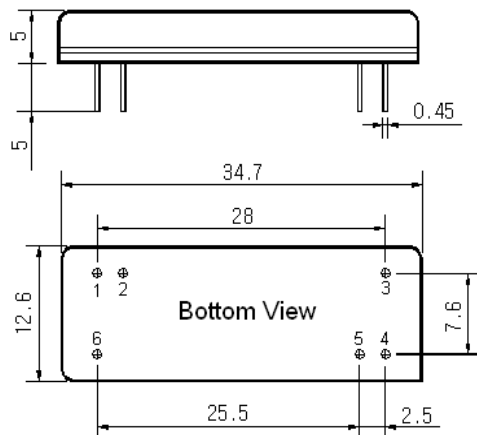
Typical Performance



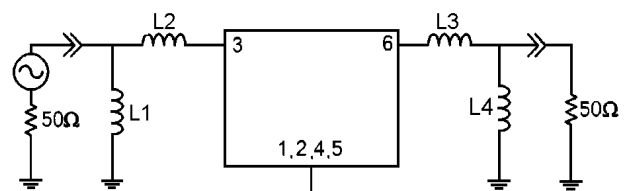
Specification

Parameter	Unit	Min.	Typ.	Max.
Center Frequency	MHz	69.90	70.00	70.10
Insertion Loss	dB	-	24.90	26.50
1dB Bandwidth	MHz	2.38	2.48	-
20dB Bandwidth	MHz	-	3.13	-
30dB Bandwidth	MHz	-	3.26	-
40dB Bandwidth	MHz	-	3.40	3.50
Passband Ripple	dB	-	0.45	1.00
Group Delay Variation	nsec	-	100	200
Absolute Delay	usec	-	3.65	-
Ultimate Attenuation	dB	47	51	-
Substrate Material	-	128-LiNbO ₃		
Temperature Coefficient	ppm/°C	-72		

Package Dimension



Matching Configuration



50Ω Single-ended
L1=56nH, L2=180nH, L3=150nH, L4=56nH
Source / Load Impedance = 50Ω
Ambient Temperature = 25°C

Rev.0 111118

