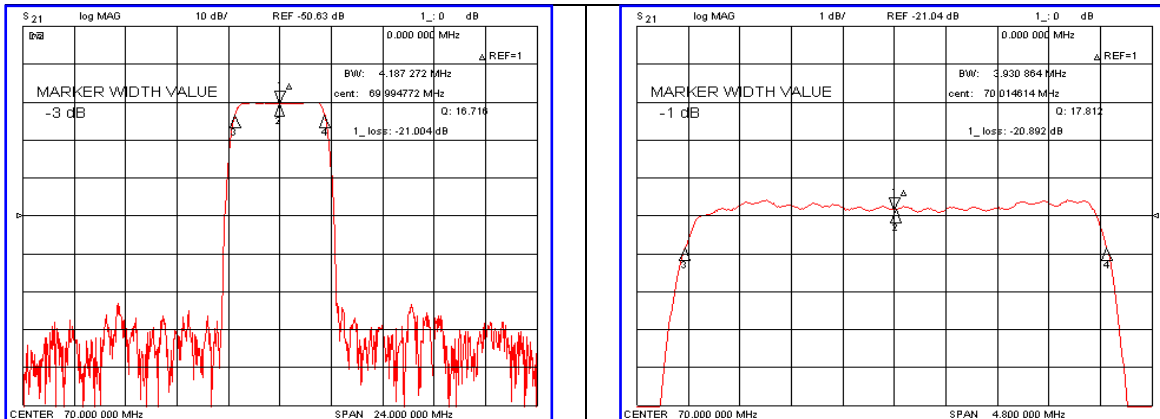


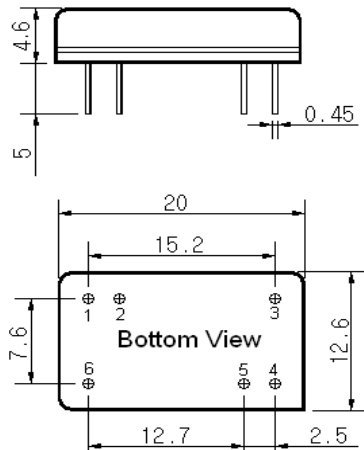
### Typical Performance



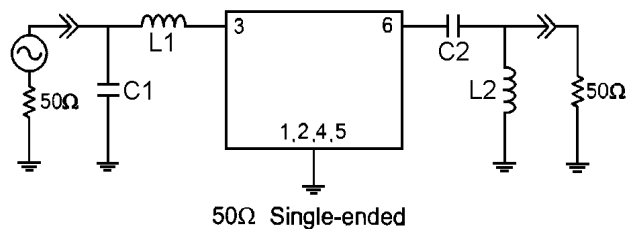
### Specification

Parameter	Unit	Min.	Typ.	Max.
Center Frequency	MHz	69.92	70.00	70.08
Insertion Loss	dB	-	21.00	24.00
1dB Bandwidth	MHz	3.80	3.93	-
3dB Bandwidth	MHz	-	4.18	-
40dB Bandwidth	MHz	-	5.22	-
50dB Bandwidth	MHz	-	5.35	5.45
Passband Ripple	dB	-	0.50	1.00
Group Delay Variation	nsec	-	110	200
Absolute Delay	μsec	-	2.30	-
Ultimate Attenuation	dB	50	53	-
Substrate Material	-	LiTaO <sub>3</sub>		
Temperature Coefficient	ppm/°C	-20		

### Package Dimension



### Matching Configuration



L1=82nH, L2=56nH, C1=75pF, C2=180pF  
 Source / Load Impedance = 50Ω  
 Ambient Temperature = 25°C

Rev0. 091215

