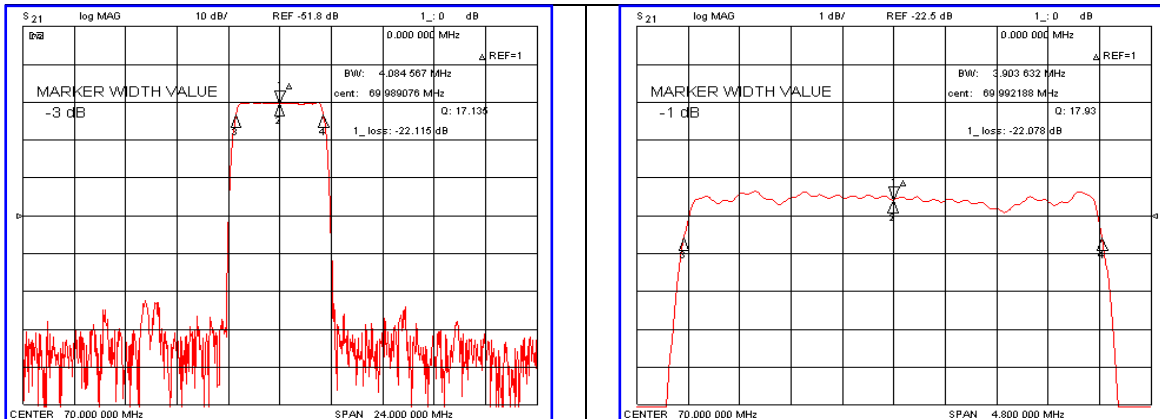


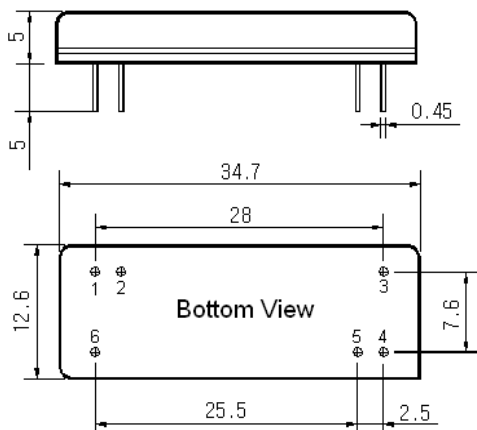
Typical Performance



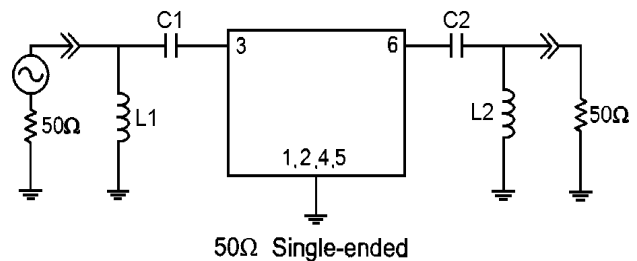
Specification

Parameter	Unit	Min.	Typ.	Max.
Center Frequency	MHz	69.92	70.00	70.08
Insertion Loss	dB	-	22.30	25.00
1dB Bandwidth	MHz	3.80	3.90	-
3dB Bandwidth	MHz	-	4.08	-
40dB Bandwidth	MHz	-	4.86	-
50dB Bandwidth	MHz	-	4.94	5.03
Passband Ripple	dB	-	0.60	1.00
Group Delay Variation	nsec	-	160	250
Absolute Delay	usec	-	3.30	-
Ultimate Attenuation	dB	48	52	-
Substrate Material	-	LiTaO ₃		
Temperature Coefficient	ppm/°C	-20		

Package Dimension



Matching Configuration



L1=68nH, L2=39nH, C1=180pF, C2=180pF
 Source / Load Impedance = 50Ω
 Ambient Temperature = 25°C

Rev.0 091215

