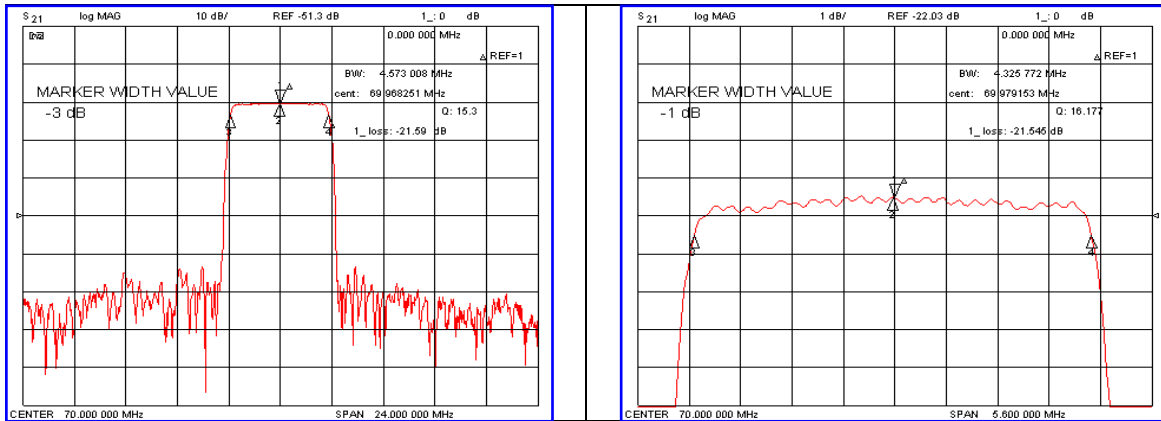


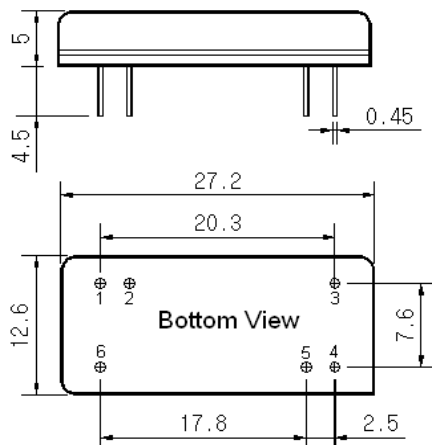
Typical Performance



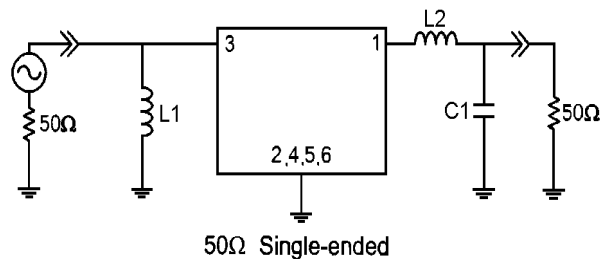
Specification

Parameter	Unit	Min.	Typ.	Max.
Center Frequency	MHz	69.92	70.00	70.08
Insertion Loss	dB	-	21.60	24.00
1dB Bandwidth	MHz	4.20	4.32	-
3dB Bandwidth	MHz	-	4.57	-
30dB Bandwidth	MHz	-	5.20	5.30-
40dB Bandwidth	MHz	-	5.29	5.40
Passband Ripple	dB	-	0.61	1.00
Group Delay Variation	nsec	-	165	250
Absolute Delay	µsec	-	2.86	-
Ultimate Attenuation	dB	40	43	-
Substrate Material	-	112-LiTaO ₃		
Temperature Coefficient	ppm/°C	-20		

Package Dimension



Matching Configuration



50Ω Single-ended
L1=33nH, L2=82nH, C1=75pF
Source / Load Impedance = 50Ω
Ambient Temperature = 25°C

Rev.0 091215

