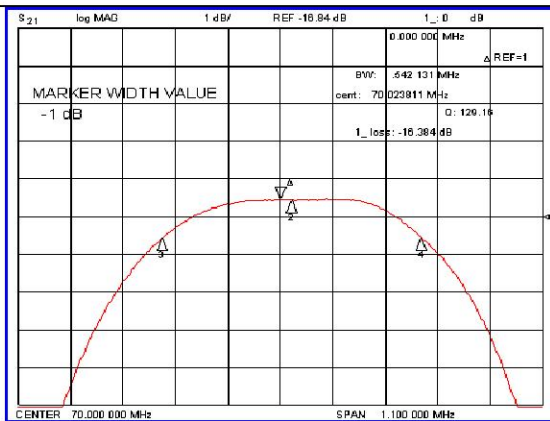
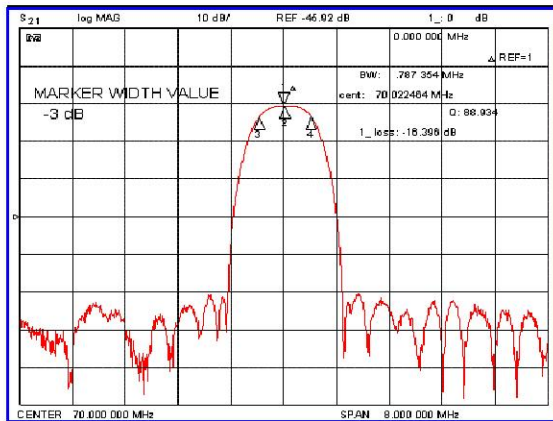


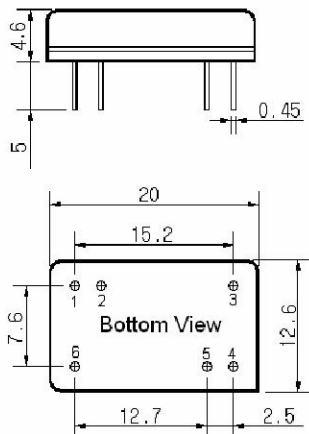
## Typical Performance



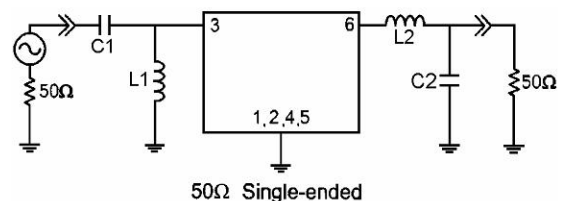
## Specification

Parameter	Unit	Min.	Typ.	Max.
Center Frequency	MHz	69.92	70.00	70.08
Insertion Loss	dB	-	16.50	19.00
1dB Bandwidth	MHz	-	0.54	-
3dB Bandwidth	MHz	0.70	0.78	-
23dB Bandwidth	MHz	-	1.46	1.60
Passband Ripple	dB	-	0.35	1.00
Group Delay Variation	nsec	-	100	200
Absolute Delay	µsec	-	2.28	-
In Out VSWR	-	-	1.9	2.5
Phase Linearity	degree	-	5	10
Ultimate Attenuation				
10 ~ 68.6 MHz	dB	40	48	-
71.4 ~ 250MHz	dB	40	45	-
Substrate Material	-	Quartz		
Temperature Coefficient	ppm/°C	-0.038		

## Package Dimension



## Matching Configuration



L1=180nH, L2=390nH, C1=140pF, C2=56pF  
 Source / Load Impedance = 50Ω  
 Ambient Temperature = 25°C

Rev0, 071229

