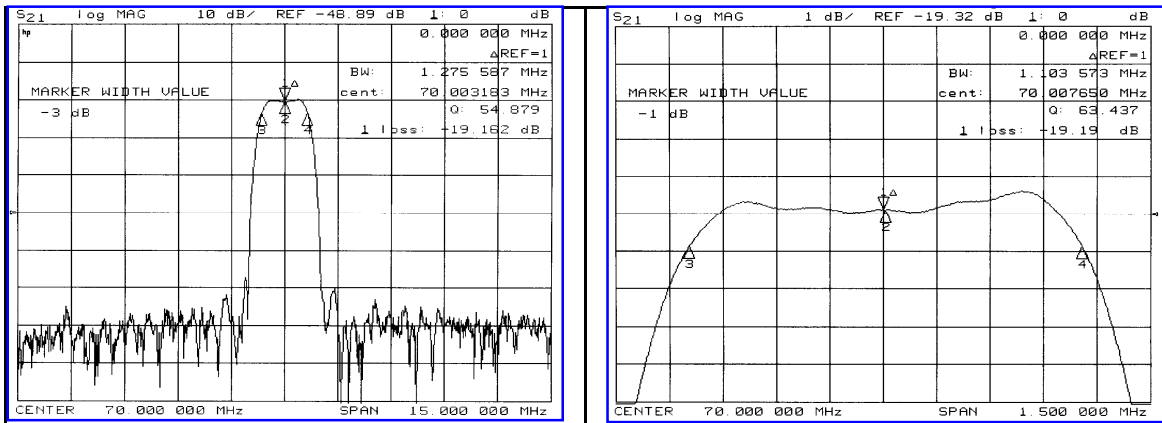


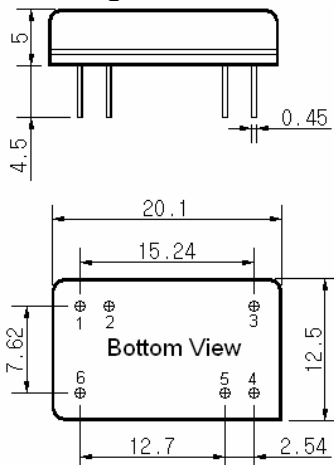
Typical Performance



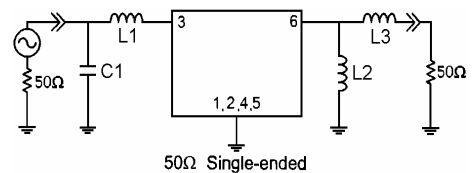
Specification

Parameter	Unit	Min.	Typ.	Max.
Center Frequency	MHz	69.94	70.00	70.06
Insertion Loss	dB	-	20.00	21.50
1dB Bandwidth	MHz	-	1.10	-
3dB Bandwidth	MHz	1.23	1.27	-
40dB Bandwidth	MHz	-	2.00	2.30
Passband Ripple	dB	-	0.65	1.00
Group Delay Variation	nsec	-	200	300
Absolute Delay	μsec	-	2.53	-
Ultimate Attenuation	dB	45	50	-
Substrate Material	-	Quartz		
Temperature Coefficient	ppm/jC ²	-0.03		

Package Dimension



Matching Configuration



L1=L3=270nH, L3=470nH, C1=51pF
 Source / Load Impedance = 50Ω
 Ambient Temperature = 25jC

05/17/2006

