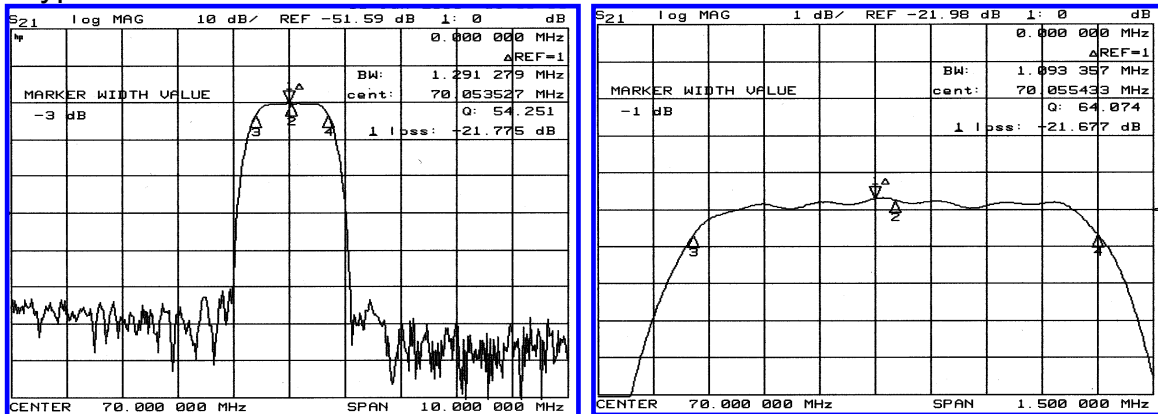


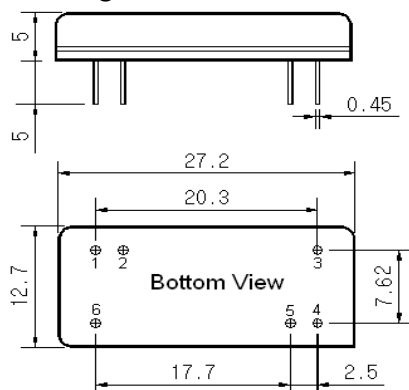
### Typical Performance



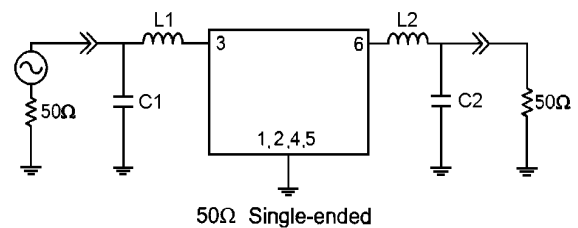
### Specification

Parameter	Unit	Min.	Typ.	Max.
Center Frequency	Mhz	69.92	70.00	70.08
Insertion Loss	dB	-	21.70	23.00
1dB Bandwidth	Mhz	1.00	1.09	-
3dB Bandwidth	Mhz	1.23	1.29	-
40dB Bandwidth	Mhz	-	2.04	2.30
Amplitude Ripple(69.54~ 70.46Mhz)	dB	-	0.55	1.00
Phase Linearity(69.54 ~ 70.46Mhz)	nsec	-	-	5.00
Group Delay Variation(69.54~ 0.46Mhz)	nsec	-	-	200.0
Ultimate Attenuation				
10 ~ 68.5 MHz	dB	48.0	-	
68.5 ~ 68.91 MHz	dB	40.0	-	
71.09 ~ 75.0 MHz	dB	40.0	-	
75.0 ~ 110.0 MHz	dB	50.0	-	
110.0 ~ 122.0 MHz	dB	35.0	-	
122.0 ~ 135.0 MHz	dB	35.0	-	
135.0 ~ 200.0 MHz	dB	50.0	-	
Substrate Material	-	Quartz		
Temperature Coefficient	ppm/°C <sup>2</sup>	-0.03		

### Package Dimension



### Matching Configuration



**L1, L2, C1, C2 = T. B. D**  
 Source / Load Impedance = 50Ω  
 Ambient Temperature = 25°C

Rev0. 091118

