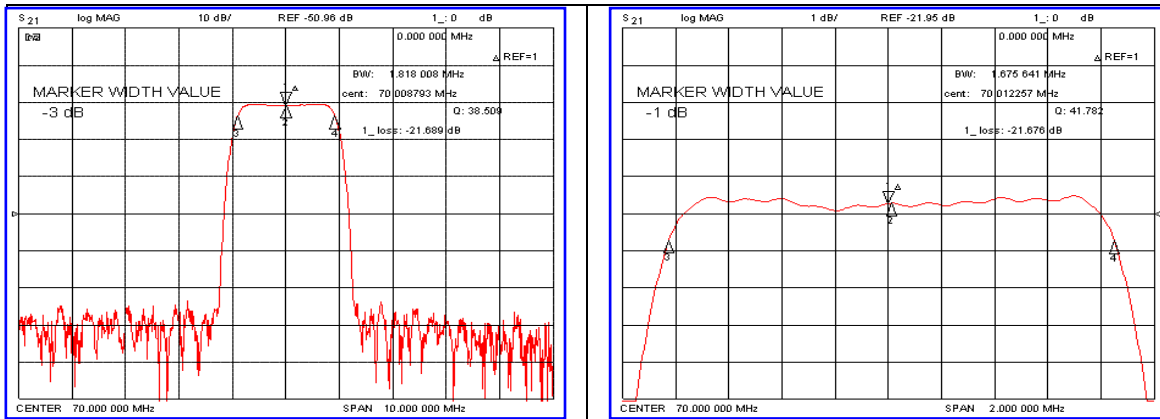


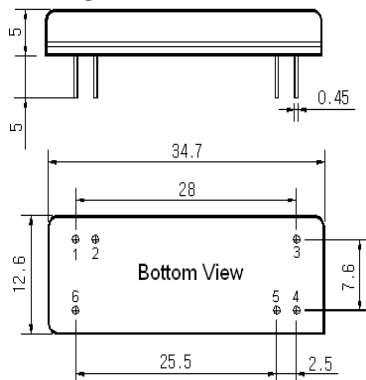
### Typical Performance



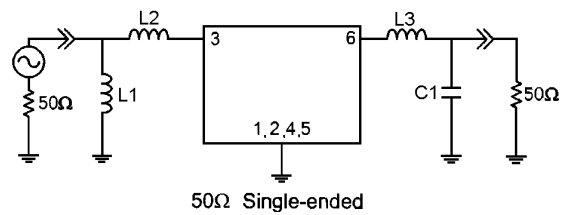
### Specification

Parameter	Unit	Min.	Typ.	Max.
Center Frequency	MHz	69.92	70.00	70.08
Insertion Loss	dB	-	22.00	24.00
1dB Bandwidth	MHz	-	1.67	-
3dB Bandwidth	MHz	1.70	1.81	-
Passband Ripple	dB	-	0.55	1.00
Absolute Delay	μsec	-	3.69	-
<b>Out of Band Gain</b>				
1dB @± 400KHz	dB	25	40	-
1dB @± 600KHz	dB	35	50	-
1dB @± 1.0MHz	dB	40	50	-
1dB @± 5.0MHz	dB	50	55	-
Substrate Material	-	Quartz		
Temperature Coefficient	ppm/°C <sup>2</sup>	-0.03		

### Package Dimension



### Matching Configuration



L1=68nH, L2=150nH, L3=220nH, C1=75pF  
 Source / Load Impedance = 50Ω  
 Ambient Temperature = 25°C

Rev0. 070112

