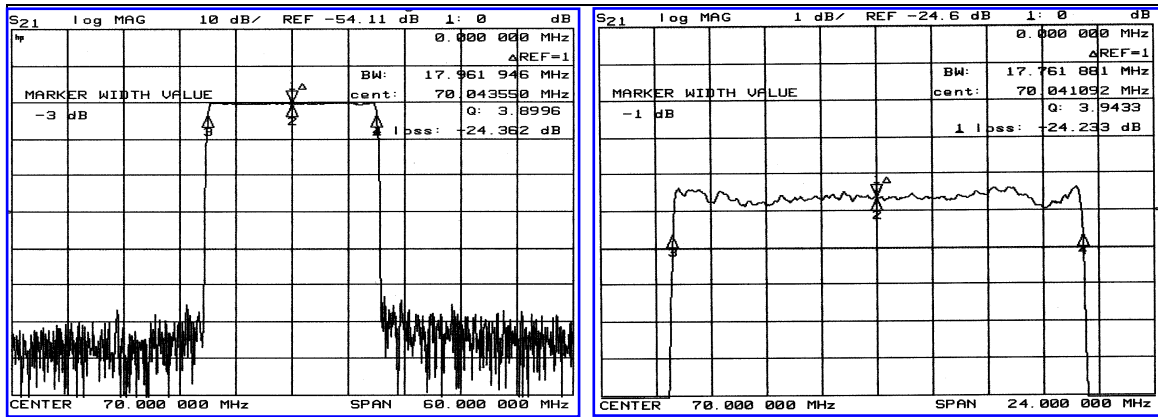


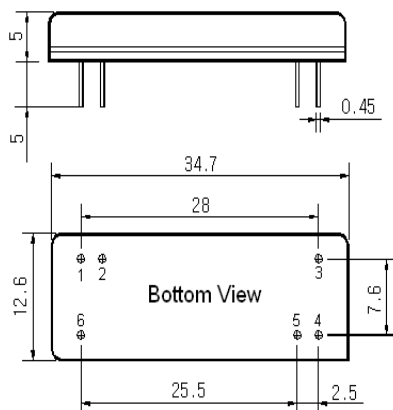
Typical Performance



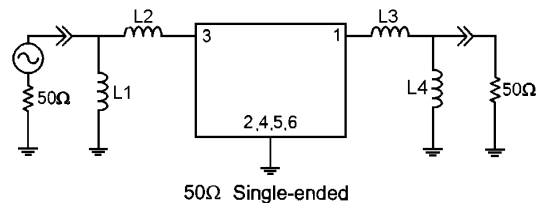
Specification

Parameter	Unit	Min.	Typ.	Max.
Center Frequency	Mhz	69.92	70.00	70.08
Insertion Loss	dB	-	24.50	26.00
1dB Bandwidth	Mhz	-	17.76	-
3dB Bandwidth	Mhz	-	17.96	-
20dB Bandwidth	Mhz	-	18.56	-
45dB Bandwidth	Mhz	-	18.87	-
Passband Ripple	dB	-	0.65	1.00
Group Delay Variation	nsec	-	50	100
Absolute Delay	µsec	-	3.34	-
Ultimate Attenuation	dB	50	55	-
Substrate Material	-	128-LiNbO ₃		
Temperature Coefficient	ppm/°C ²	-72		

Package Dimension



Matching Configuration



L1=220nH, L2=56nH, L3=68nH, L4=220nH
 Source / Load Impedance = 50Ω
 Ambient Temperature = 25°C

07/13/2005

