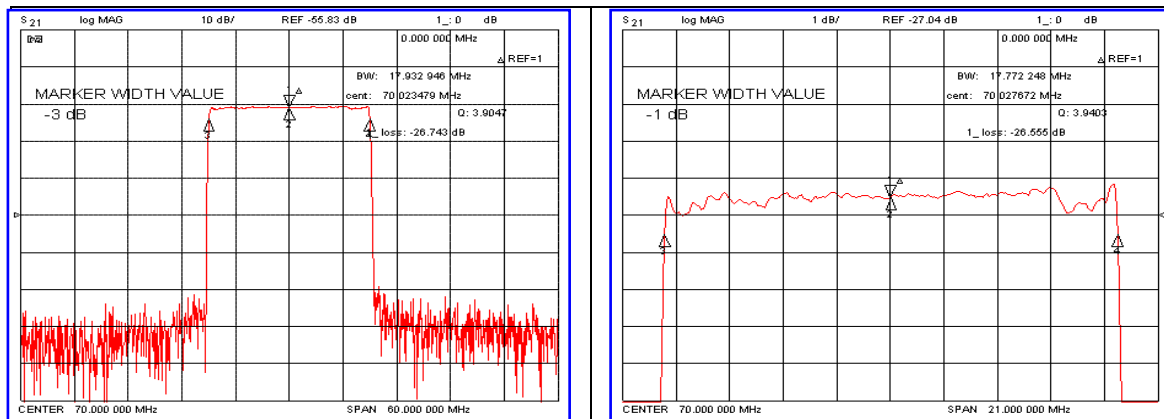


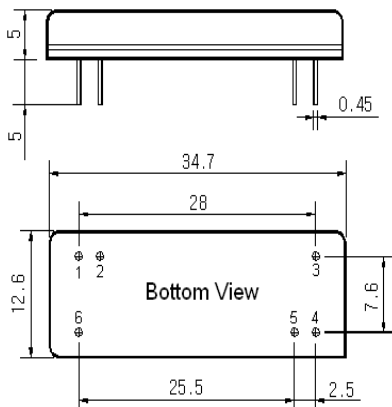
Typical Performance



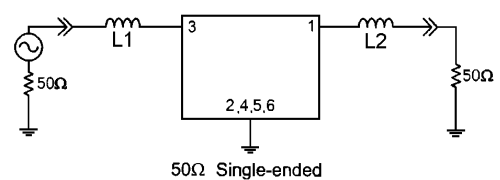
Specification

Parameter	Unit	Min.	Typ.	Max.
Center Frequency	MHz	-	70.00	-
Insertion Loss	dB	-	27.00	28.50
1dB Bandwidth	MHz	-	17.77	-
3dB Bandwidth	MHz	-	17.93	-
35dB Bandwidth	MHz	-	18.59	-
40dB Bandwidth	MHz	-	18.63	-
Passband Ripple	dB	-	0.85	1.20
Group Delay Variation	nsec	-	100	200
Absolute Delay	μsec	-	3.63	-
Ultimate Attenuation	dB	-	50	-
Substrate Material	-	128-LiNbO ₃		
Temperature Coefficient	ppm/°C	-72		

Package Dimension



Matching Configuration



L1=82nH, L2=68nH
 Source / Load Impedance = 50Ω
 Ambient Temperature = 25°C

10/25/2006

