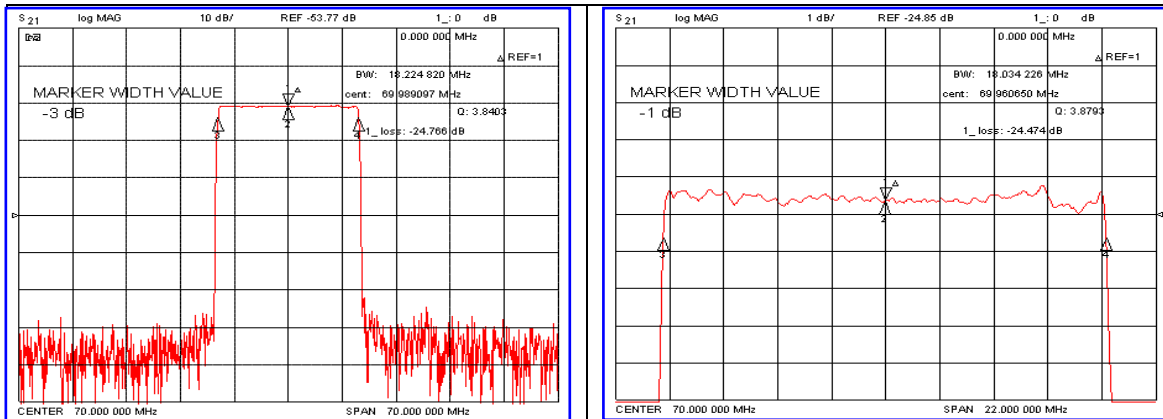


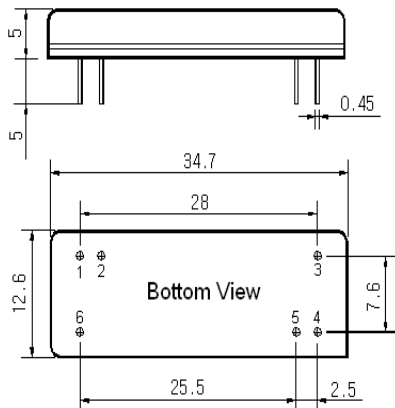
### Typical Performance



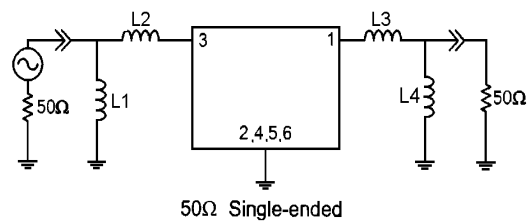
### Specification

Parameter	Unit	Min.	Typ.	Max.
Center Frequency (Fc)	MHz	69.92	70.00	70.08
Insertion Loss	dB	-	25.00	27.00
1dB Bandwidth	MHz	17.90	18.03	-
3dB Bandwidth	MHz	-	18.22	-
33dB Bandwidth	MHz	-	18.97	-
40dB Bandwidth	MHz	-	19.04	19.15
Passband Ripple	dB	-	0.70	1.00
Group Delay Variation	nsec	-	50	100
Absolute Delay	µsec	-	3.43	-
Ultimate Attenuation	dB	50	55	-
Substrate Material	-	128-LiNbO <sub>3</sub>		
Temperature Coefficient	ppm/°C	-72		

### Package Dimension



### Matching Configuration



L1=L4=220nH, L2=L3=47nH  
 Source / Load Impedance = 50Ω  
 Ambient Temperature = 25°C

10/18/2006

