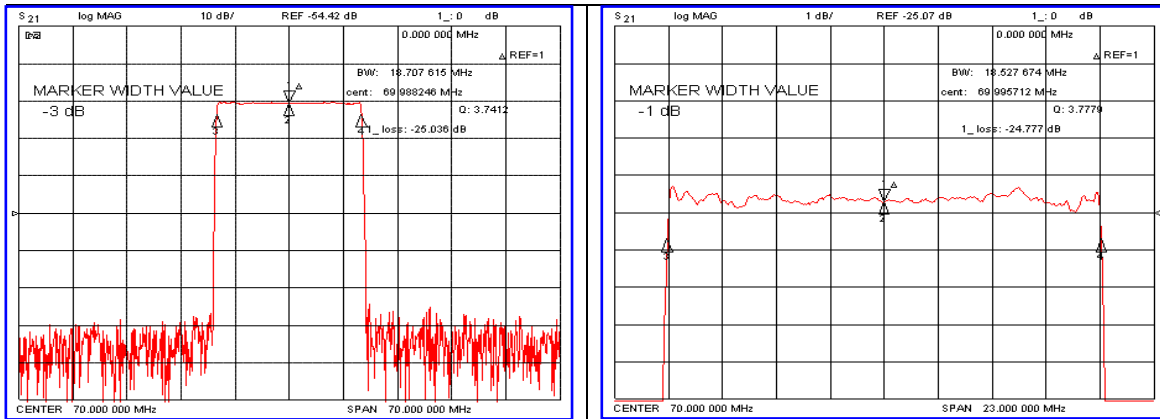


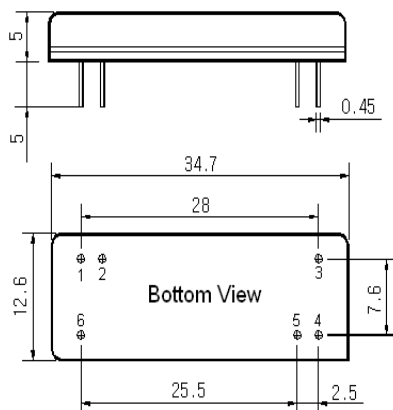
Typical Performance



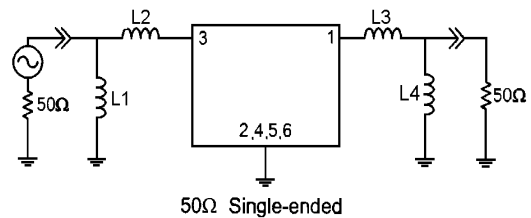
Specification

Parameter	Unit	Min.	Typ.	Max.
Center Frequency (Fc)	MHz	69.92	70.00	70.08
Insertion Loss	dB	-	25.00	27.00
1dB Bandwidth	MHz	18.30	18.52	-
3dB Bandwidth	MHz	-	18.70	-
40dB Bandwidth	MHz	-	19.56	19.65
Passband Ripple	dB	-	0.60	1.00
Group Delay Variation	nsec	-	50	100
Absolute Delay	µsec	-	3.40	-
Ultimate Attenuation	dB	50	55	-
Substrate Material	-	128-LiNbO ₃		
Temperature Coefficient	ppm/°C	-72		

Package Dimension



Matching Configuration



L1=390nH, L2=L3=68nH, L4=270nH
 Source / Load Impedance = 50Ω
 Ambient Temperature = 25°C

09/25/2006

