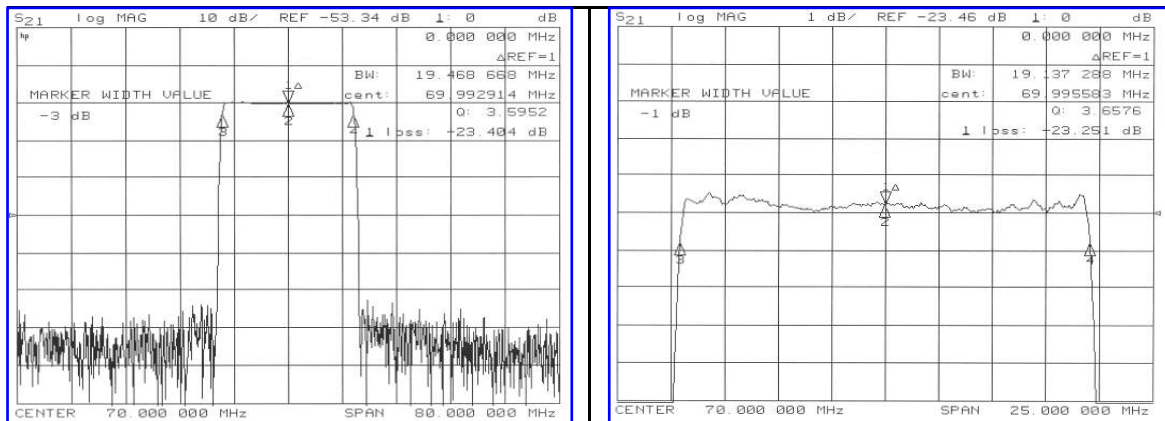


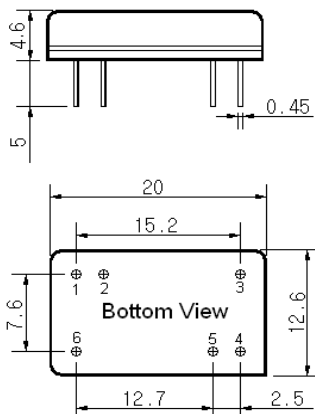
Typical Performance



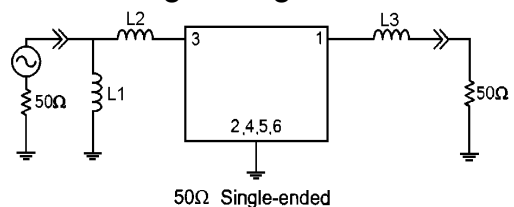
Specification

Parameter	Unit	Min.	Typ.	Max.
Center Frequency (Fc)	MHz	69.96	70.00	70.04
Insertion Loss	dB	-	23.4	24.50
1dB Bandwidth	MHz	-	19.13	-
3dB Bandwidth	MHz	19.40	19.46	-
40dB Bandwidth	MHz	-	20.86	21.00
Passband Ripple (Fc±9.22MHz)	dB	-	0.55	0.90
Group Delay Variation (Fc±9.22MHz)	nsec	-	40	90
Absolute Delay	µsec	-	2.25	-
Ultimate Attenuation	dB	50	55	-
Substrate Material	-	128-LiNbO ₃		
Temperature Coefficient	ppm/°C	-72		

Package Dimension



Matching Configuration



L1=390nH, L2=120nH, L3=150nH
 Source / Load Impedance = 50Ω
 Ambient Temperature = 25°C

08/03/2006

