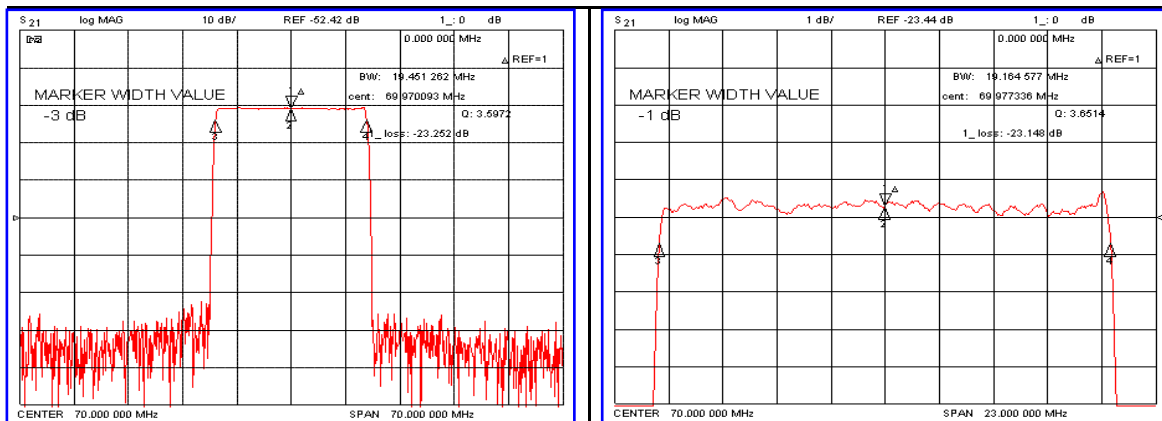


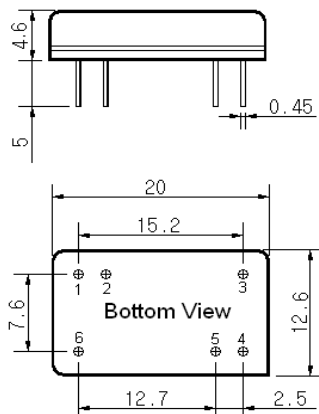
Typical Performance



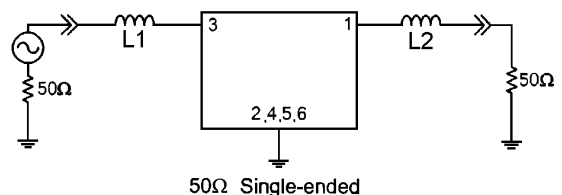
Specification

Parameter	Unit	Min.	Typ.	Max.
Center Frequency (Fc)	MHz	69.96	70.00	70.04
Insertion Loss	dB	-	23.4	25.00
1dB Bandwidth	MHz	-	19.16	-
3dB Bandwidth	MHz	19.40	19.45	-
40dB Bandwidth	MHz	-	20.70	20.85
Passband Ripple (Fc±9.22MHz)	dB	-	0.60	1.00
Group Delay Variation (Fc±9.22MHz)	nsec	-	40	90
Absolute Delay	µsec	-	2.28	-
Ultimate Attenuation	dB	50	55	-
Substrate Material	-	128-LiNbO ₃		
Temperature Coefficient	ppm/°C	-72		

Package Dimension



Matching Configuration



L1=180nH, L2=150nH
 Source / Load Impedance = 50Ω
 Ambient Temperature = 25°C

10/11/2006

