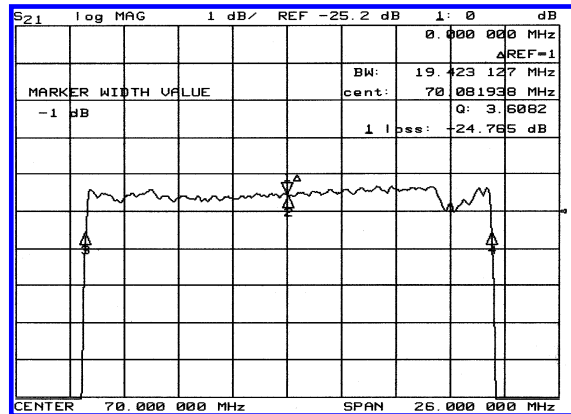
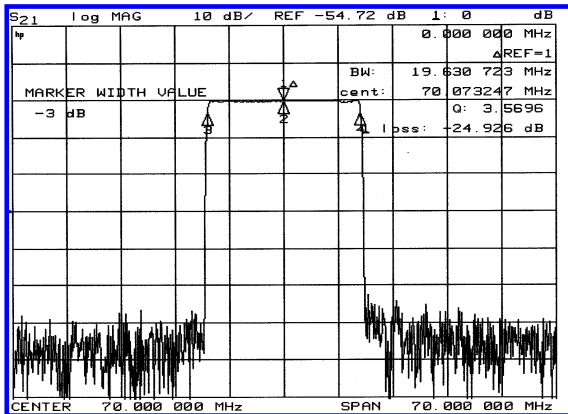


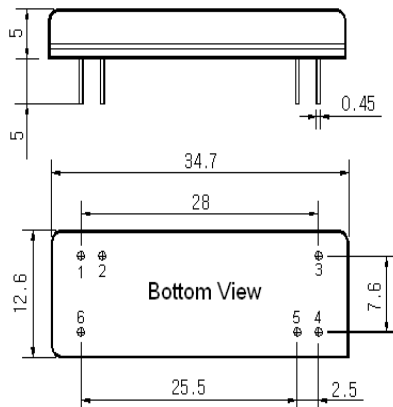
### Typical Performance



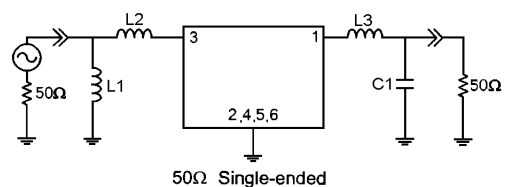
### Specification

Parameter	Unit	Min.	Typ.	Max.
Center Frequency	Mhz	69.92	70.00	70.08
Insertion Loss	dB	-	25.00	26.50
1dB Bandwidth	Mhz	19.35	19.42	-
3dB Bandwidth	Mhz	19.55	19.63	-
40dB Bandwidth	Mhz	-	20.52	20.70
50dB Bandwidth	Mhz	-	20.62	-
Passband Ripple	dB	-	0.75	1.00
Group Delay Variation	nsec	-	50	100
Absolute Delay	μsec	-	3.3	-
Ultimate Attenuation	dB	50	55	-
Substrate Material	-	128-LiNbO <sub>3</sub>		
Temperature Coefficient	ppm/°C <sup>2</sup>	-72		

### Package Dimension



### Matching Configuration



L1=270nH, L2=82nH, L3=0.15μH, C1=18pF  
 Source / Load Impedance = 50Ω  
 Ambient Temperature = 25°C

01/19/2005

