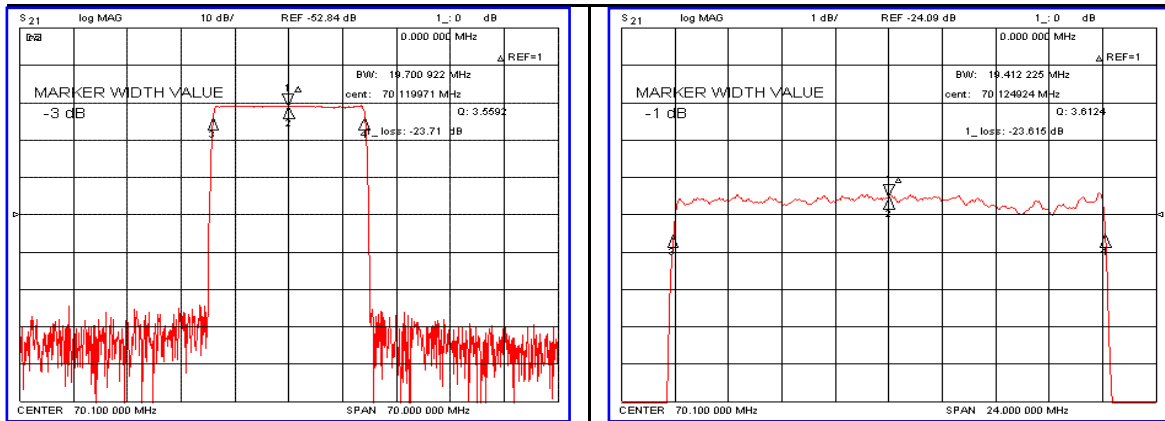


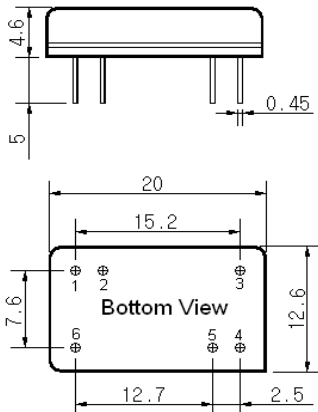
### Typical Performance



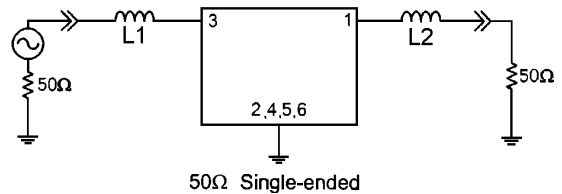
### Specification

Parameter	Unit	Min.	Typ.	Max.
Center Frequency (Fc)	MHz	70.02	70.10	70.18
Insertion Loss	dB	-	23.8	25.00
1dB Bandwidth	MHz	-	19.41	-
3dB Bandwidth	MHz	19.50	19.70	-
40dB Bandwidth	MHz	-	20.88	21.00
Passband Ripple	dB	-	0.60	1.00
Group Delay Variation	nsec	-	50	100
Absolute Delay	µsec	-	2.32	-
Ultimate Attenuation	dB	50	55	-
Substrate Material	-	128-LiNbO <sub>3</sub>		
Temperature Coefficient	ppm/°C	-72		

### Package Dimension



### Matching Configuration



L1=180nH, L2=150nH  
 Source / Load Impedance = 50Ω  
 Ambient Temperature = 25°C

10/11/2006

