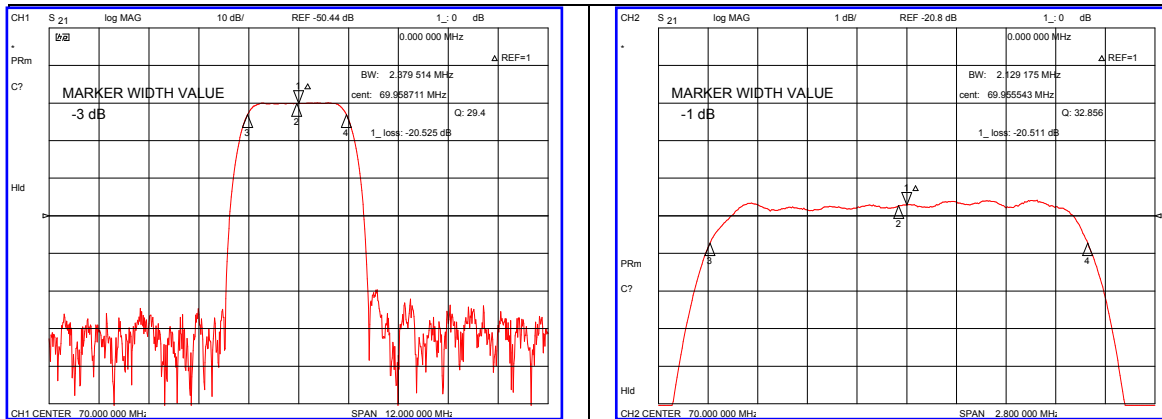


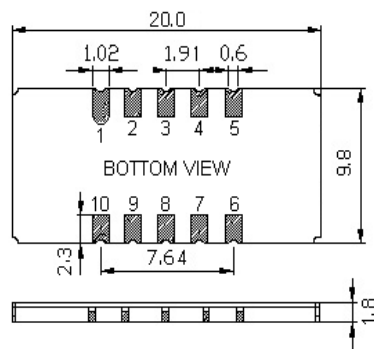
Typical Performance



Specification

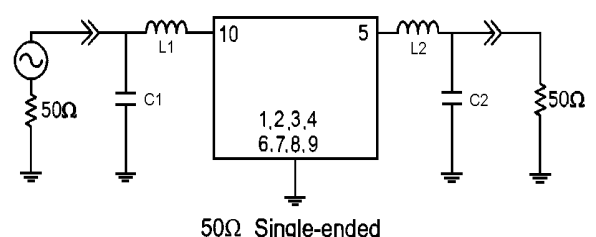
Parameter	Unit	Min.	Typ.	Max.
Center Frequency	MHz	-	70.00	-
Insertion Loss	dB	-	20.60	23.00
1dB Bandwidth	MHz	1.80	2.10	-
3dB Bandwidth	MHz	-	2.37	-
40dB Bandwidth	MHz	-	3.35	3.50
Passband Ripple($F_c \pm 0.875$ MHz)	dB	-	0.40	1.00
Group Delay Variation($F_c \pm 0.875$ MHz)	nsec	-	100	200
Absolute Delay	μ sec	-	2.21	-
Ultimate Attenuation				
25 ~ 67.75 MHz	dB	50	55	-
72.25 ~ 125 MHz	dB	48	53	-
125 ~ 145 MHz	dB	42	47	-
145 ~ 200MHz	dB	50	55	-
Temperature Coefficient	ppm/ $^{\circ}$ C		-20	

Package Dimension



10: Input, 1: In-Gnd
 5: Output, 6: Out-Gnd
 2,3,4,7,8,9: Case Gnd

Matching Configuration



$L1=47$ nH, $L2=47$ nH, $C1=1100$ pF, $C2=120$ pF
 Source / Load Impedance = 50 Ω
 Ambient Temperature = 25 $^{\circ}$ C

Rev0. 130222

