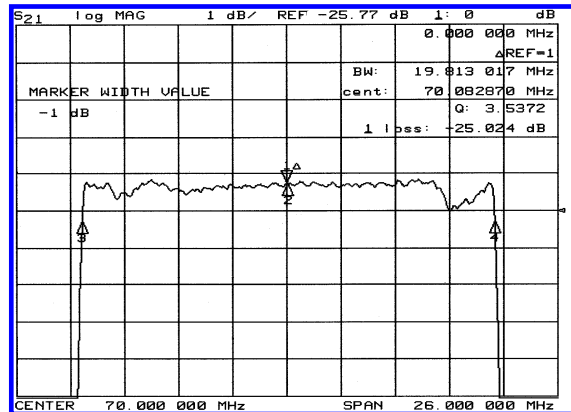
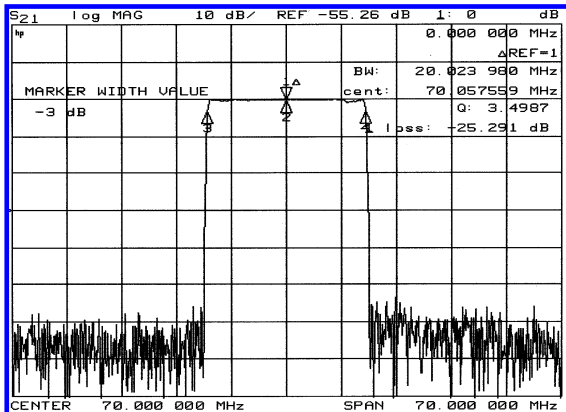


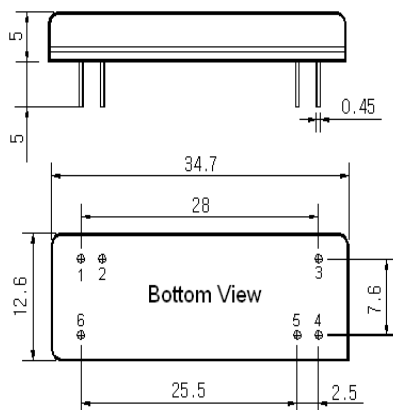
Typical Performance



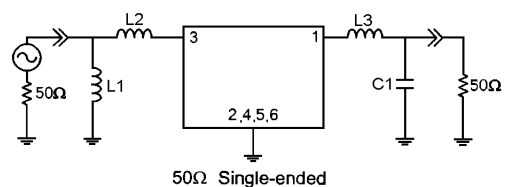
Specification

Parameter	Unit	Min.	Typ.	Max.
Center Frequency	Mhz	69.92	70.00	70.08
Insertion Loss	dB	-	25.50	26.50
1dB Bandwidth	Mhz	19.70	19.81	-
3dB Bandwidth	Mhz	19.90	20.02	-
40dB Bandwidth	Mhz	-	20.92	21.10
50dB Bandwidth	Mhz	-	21.00	-
Passband Ripple	dB	-	0.85	1.00
Group Delay Variation	nsec	-	50	100
Absolute Delay	µsec	-	3.5	-
Ultimate Attenuation	dB	50	55	-
Substrate Material	-	128-LiNbO ₃		
Temperature Coefficient	ppm/°C	-72		

Package Dimension



Matching Configuration



L1=270nH, L2=82nH, L3=0.18µH, C1=30pF
 Source / Load Impedance = 50Ω
 Ambient Temperature = 25°C

01/20/2005

