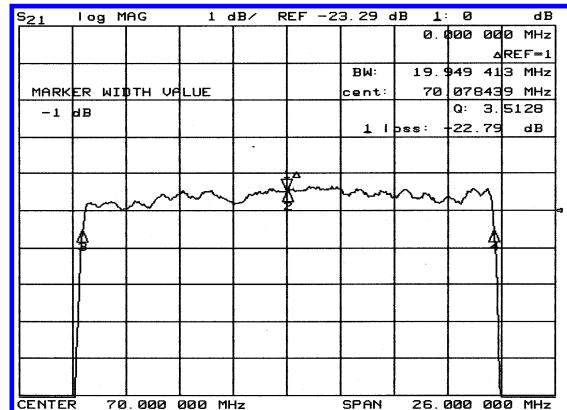
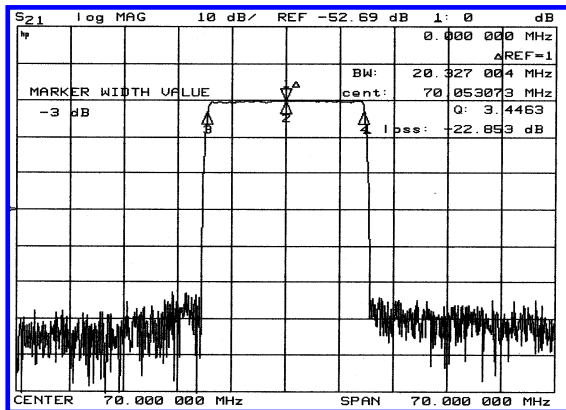


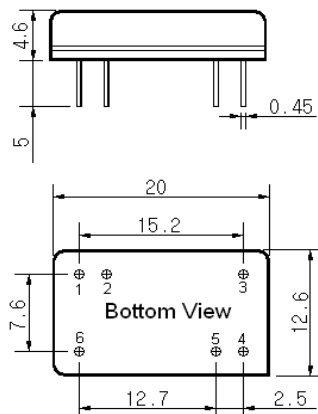
Typical Performance



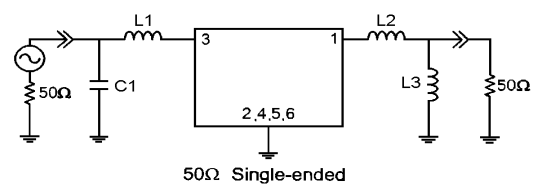
Specification

Parameter	Unit	Min.	Typ.	Max.
Center Frequency	Mhz	69.92	70.00	70.08
Insertion Loss	dB	-	22.80	24.00
1dB Bandwidth	Mhz	19.85	19.95	-
3dB Bandwidth	Mhz	20.25	20.33	-
40dB Bandwidth	Mhz	-	21.76	21.90
50dB Bandwidth	Mhz	-	21.88	-
Passband Ripple	dB	-	0.65	1.00
Group Delay Variation	nsec	-	50	100
Absolute Delay	µsec	-	2.1	-
Ultimate Attenuation	dB	50	55	-
Substrate Material	-	128-LiNbO ₃		
Temperature Coefficient	ppm/°C	-72		

Package Dimension



Matching Configuration



L1=0.22µH, L2=100nH, L3=270nH, C1=14pF
Source / Load Impedance = 50Ω
Ambient Temperature = 25°C

12/17/2004

