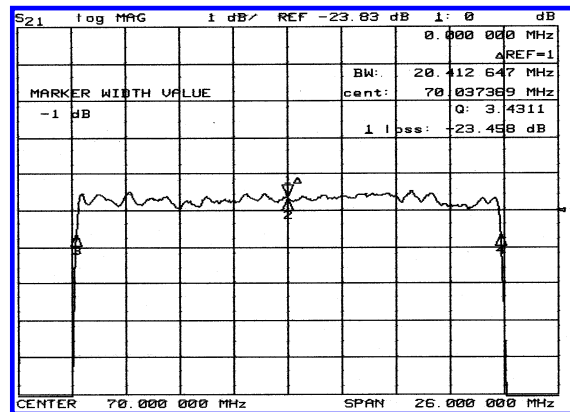
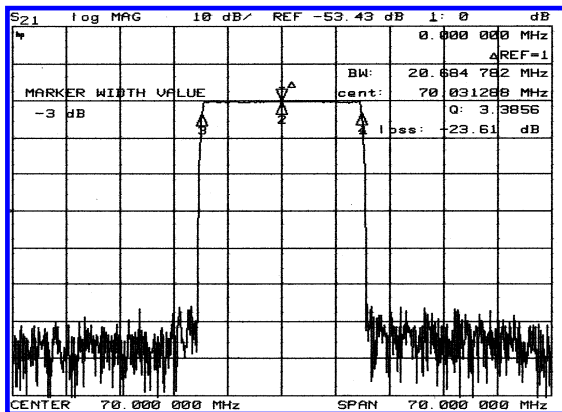


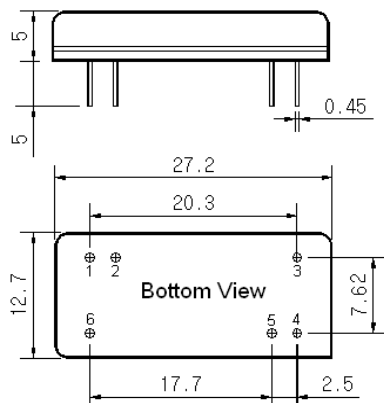
Typical Performance



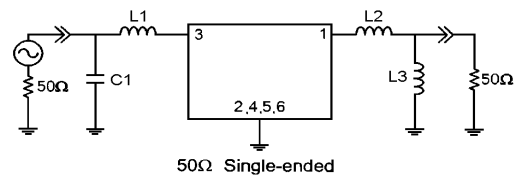
Specification

Parameter	Unit	Min.	Typ.	Max.
Center Frequency	Mhz	69.92	70.00	70.08
Insertion Loss	dB	-	23.50	25.00
1dB Bandwidth	Mhz	20.20	20.41	-
3dB Bandwidth	Mhz	20.50	20.67	-
40dB Bandwidth	Mhz	-	21.80	22.00
50dB Bandwidth	Mhz	-	21.90	-
Passband Ripple	dB	-	0.55	1.00
Group Delay Variation	nsec	-	50	100
Absolute Delay	µsec	-	2.7	-
Ultimate Attenuation	dB	50	60	-
Substrate Material	-	128-LiNbO ₃		
Temperature Coefficient	ppm/°C ²	-72		

Package Dimension



Matching Configuration



L1=0.18µH, L2=82nH, L3=0.18µH, C1=16pF
 Source / Load Impedance = 50Ω
 Ambient Temperature = 25°C

11/25/2004

