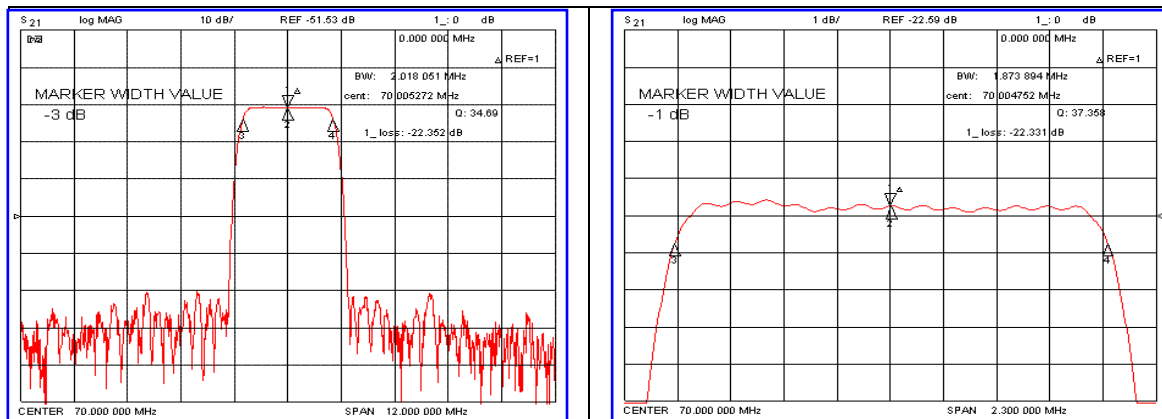


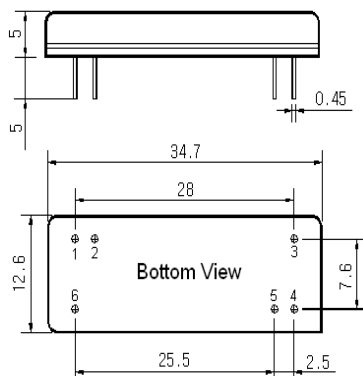
Typical Performance



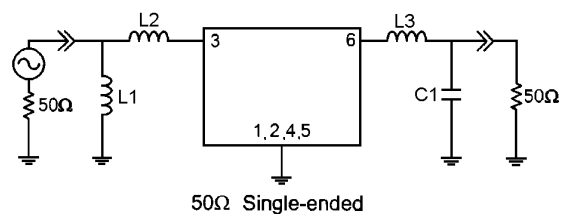
Specification

Parameter	Unit	Min.	Typ.	Max.
Center Frequency	MHz	69.92	70.00	70.08
Insertion Loss	dB	-	22.50	25.00
1dB Bandwidth	MHz	-	1.87	-
3dB Bandwidth	MHz	1.90	2.01	-
Passband Ripple	dB	-	0.55	1.00
Absolute Delay	μsec	-	3.75	-
Out of Band Gain				
1dB @ ± 400KHz	dB	25	40	-
1dB @ ± 600KHz	dB	35	50	-
1dB @ ± 1.0MHz	dB	40	50	-
1dB @ ± 5.0MHz	dB	50	55	-
Substrate Material	-	Quartz		
Temperature Coefficient	ppm/°C ²	-0.03		

Package Dimension



Matching Configuration



L1=68nH, L2=180nH, L3=220nH, C1=110pF
 Source / Load Impedance = 50Ω
 Ambient Temperature = 25°C

Rev0. 070112

