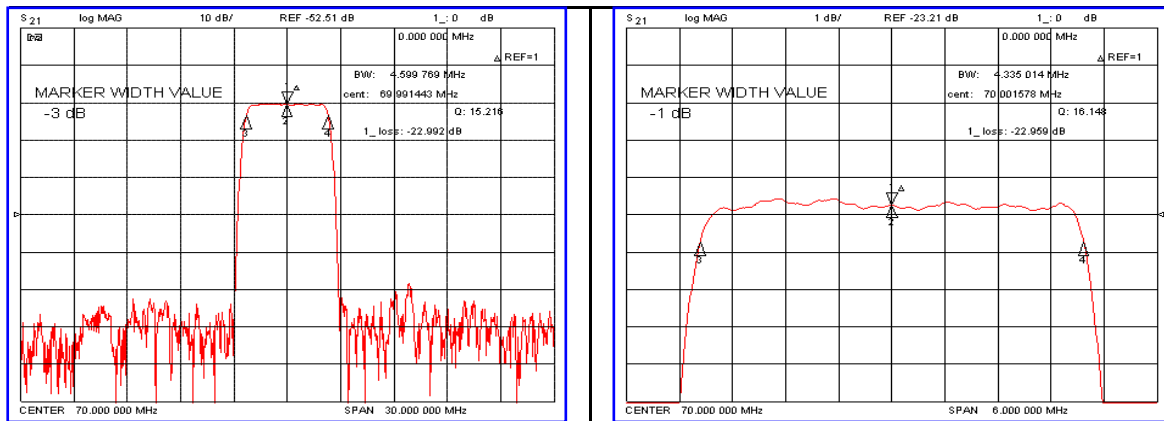


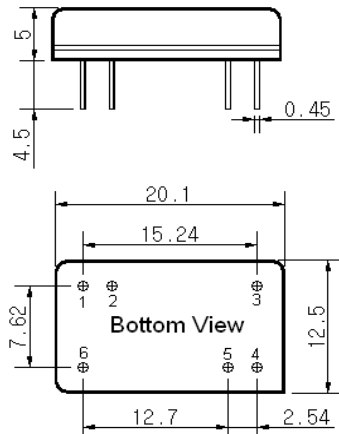
### Typical Performance



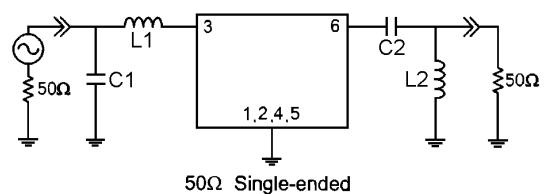
### Specification

Parameter	Unit	Min.	Typ.	Max.
Center Frequency	MHz	69.92	70.00	70.08
Insertion Loss	dB	-	23.00	25.00
1dB Bandwidth	MHz	-	4.33	-
3dB Bandwidth	MHz	4.40	4.59	-
15dB Bandwidth	MHz	-	5.18	5.40
40dB Bandwidth	MHz	-	5.70	6.00
Passband Ripple	dB	-	0.55	1.00
Group Delay Variation	nsec	-	100	200
Absolute Delay	μsec	-	2.38	-
Ultimate Attenuation	dB	-	48	-
Substrate Material	-	112-LiTaO <sub>3</sub>		
Temperature Coefficient	ppm/°C	-20		

### Package Dimension



### Matching Configuration



L1=100nH, L2=56nH, C1=56pF, C2=150pF  
 Source / Load Impedance = 50Ω  
 Ambient Temperature = 25°C

Rev0. 061220

