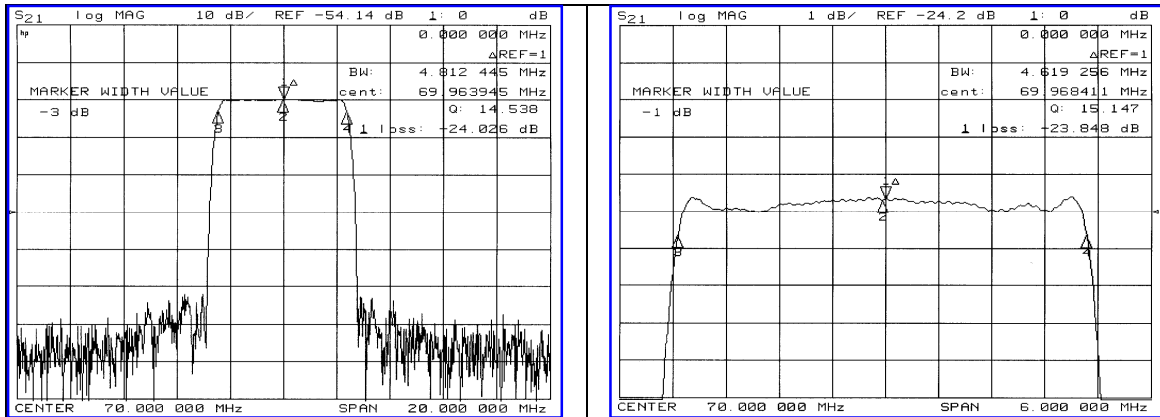


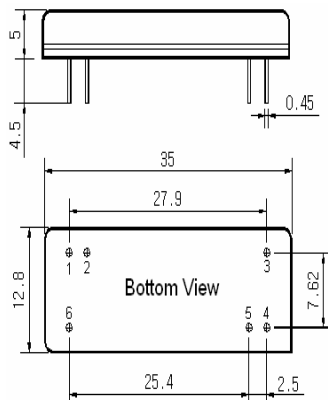
Typical Performance



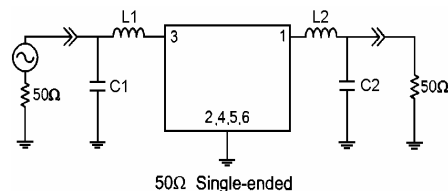
Specification

Parameter	Unit	Min.	Typ.	Max.
Center Frequency	MHz	69.92	70.00	70.08
Insertion Loss	dB	-	24.00	25.50
1dB Bandwidth	MHz	-	4.61	-
3dB Bandwidth	MHz	4.70	4.81	-
20dB Bandwidth	MHz	-	5.34	-
30dB Bandwidth	MHz	-	5.47	-
45dB Bandwidth	MHz	-	5.60	-
Passband Ripple	dB	-	0.65	-
Group Delay Variation	nsec	-	100	200
Absolute Delay	µsec	-	5.00	-
Ultimate Attenuation	dB	50	53	-
Substrate Material	-	LiTaO ₃		

Package Dimension



Matching Configuration



L1=L2=180nH, C1=62pF, C2=47pF
 Source / Load Impedance = 50Ω
 Ambient Temperature = 25°C

03/27/2006

