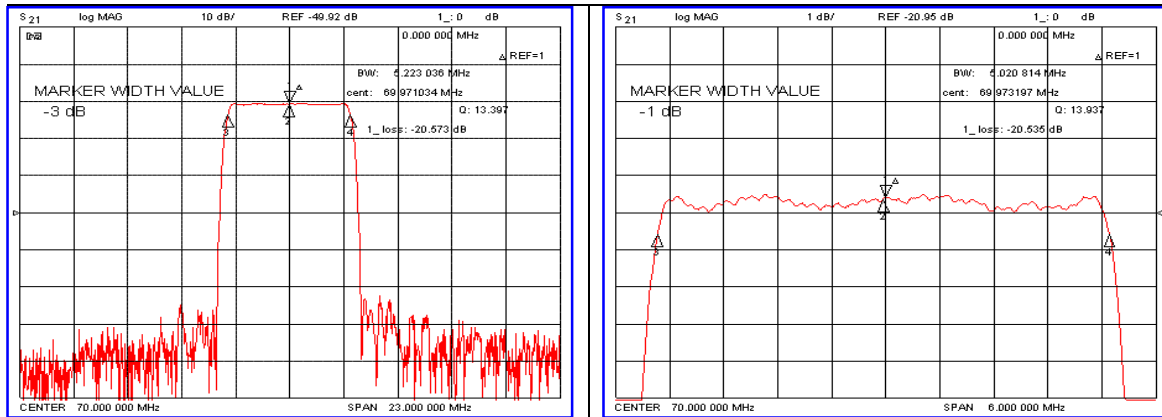


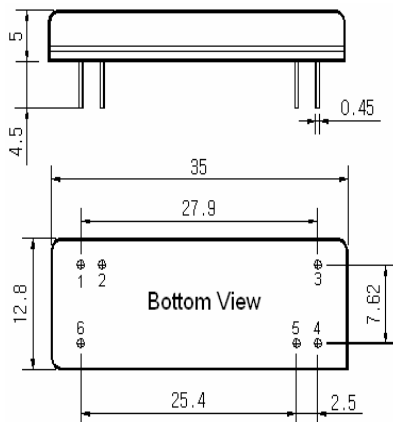
Typical Performance



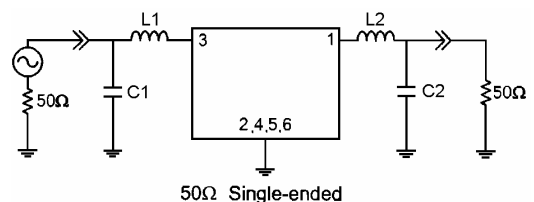
Specification

Parameter	Unit	Min.	Typ.	Max.
Center Frequency (Fc)	MHz	69.92	70.00	70.08
Insertion Loss	dB	-	20.55	24.00
1dB Bandwidth	MHz	4.90	5.03	-
3dB Bandwidth	MHz	-	5.22	-
33dB Bandwidth	MHz	-	5.95	-
40dB Bandwidth	MHz	-	6.02	6.15
Passband Ripple	dB	-	0.55	1.00
Group Delay Variation	nsec	-	150	250
Absolute Delay	µsec	-	3.70	-
Ultimate Attenuation	dB	50	55	-
Substrate Material	-	Yz-LiNbO ₃		
Temperature Coefficient	ppm/°C	-94		

Package Dimension



Matching Configuration



L1= L2=39nH, C1=C2=10pF
 Source / Load Impedance = 50Ω
 Ambient Temperature = 25°C

10/17/2006

