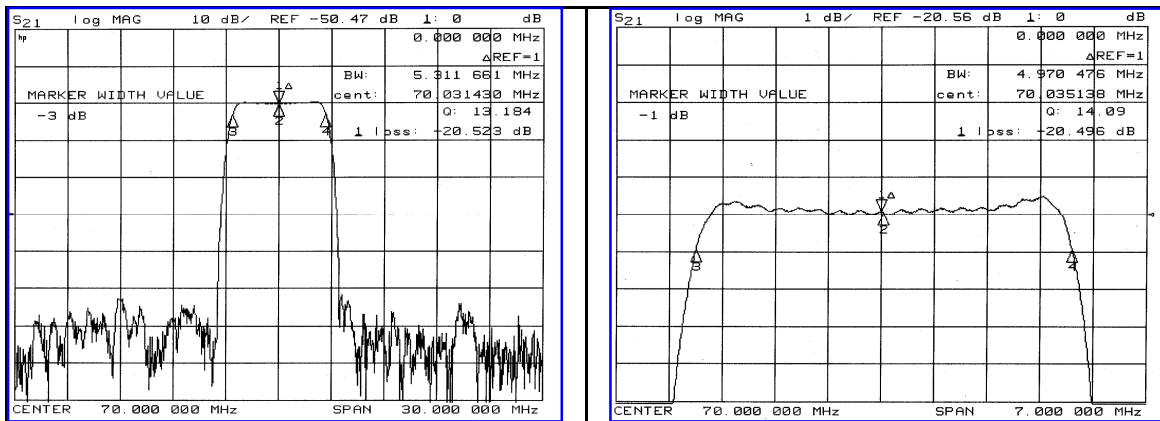


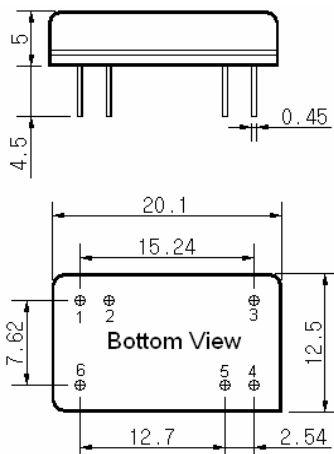
Typical Performance



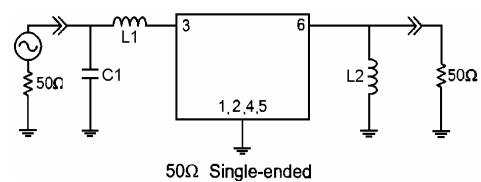
Specification

Parameter	Unit	Min.	Typ.	Max.
Center Frequency	MHz	69.92	70.00	70.08
Insertion Loss	dB	-	20.50	23.00
1dB Bandwidth	MHz	-	4.97	-
3dB Bandwidth	MHz	5.20	5.31	-
40dB Bandwidth	MHz	-	6.76	7.30
Passband Ripple	dB	-	0.55	1.00
Group Delay Variation	nsec	-	100	200
Absolute Delay	μsec	-	1.89	-
Ultimate Attenuation	dB	48	52	-
Substrate Material	-	112-LiTaO ₃		
Temperature Coefficient	ppm/°C	-20		

Package Dimension



Matching Configuration



L1=120nH, L2=82nH, C1=62pF
 Source / Load Impedance = 50Ω
 Ambient Temperature = 25°C

01/24/2006

