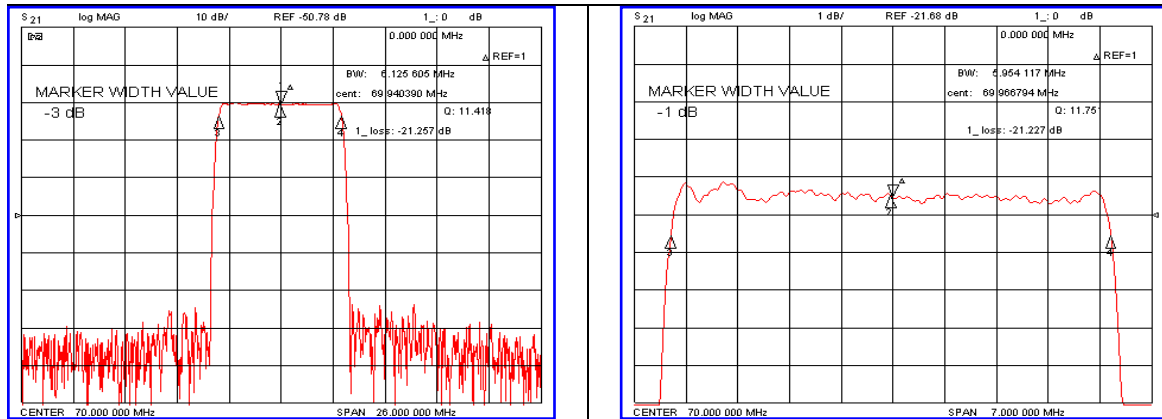


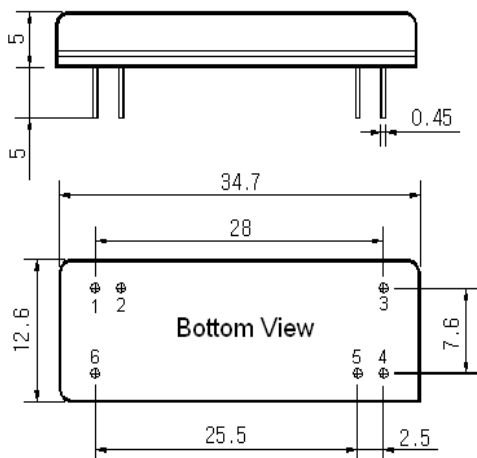
Typical Performance



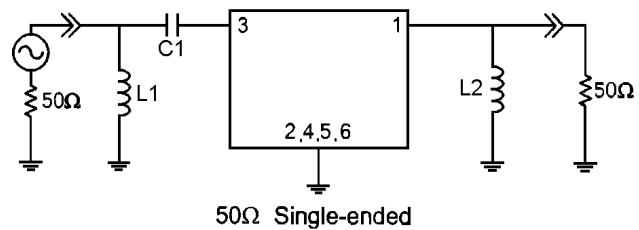
Specification

Parameter	Unit	Min.	Typ.	Max.
Center Frequency	MHz	69.92	70.00	70.08
Insertion Loss	dB	-	21.50	24.00
2dB Bandwidth	MHz	5.95	6.05	-
25dB Bandwidth	MHz	-	6.70	6.80
40dB Bandwidth	MHz	-	6.85	-
Passband Ripple	dB	-	0.45	1.00
Group Delay Variation	nsec	-	100	200
Absolute Delay	usec	-	3.76	-
Ultimate Attenuation	dB	50	54	-
Substrate Material	-	YZ-LiNbO ₃		
Temperature Coefficient	ppm/°C	-94		

Package Dimension



Matching Configuration



L1=390nH, L2=390nH, C1=160pF
 Source / Load Impedance = 50Ω
 Ambient Temperature = 25°C

Rev.0 090112

