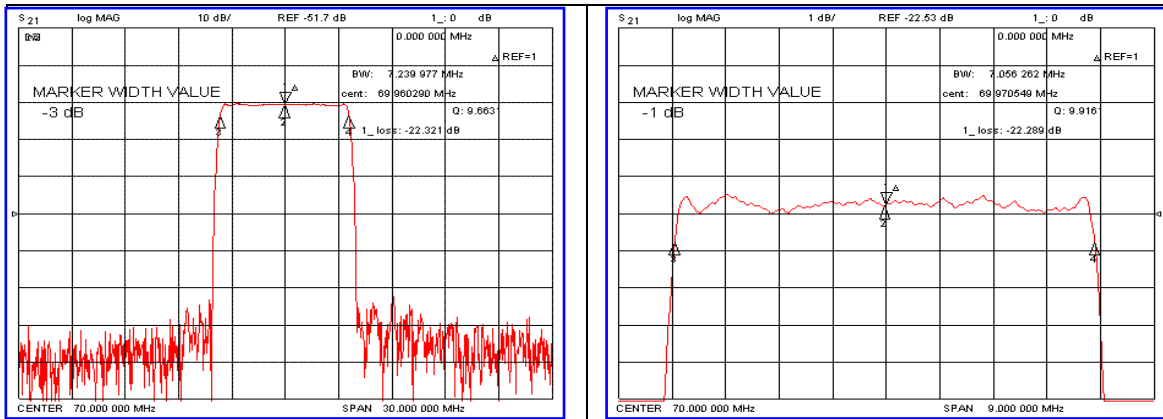


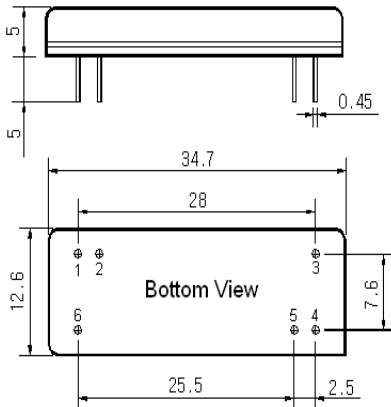
Typical Performance



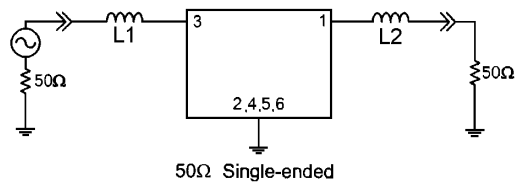
Specification

Parameter	Unit	Min.	Typ.	Max.
Center Frequency (Fc)	MHz	69.92	70.00	70.08
Insertion Loss	dB	-	22.50	25.00
1dB Bandwidth	MHz	6.90	7.05	-
3dB Bandwidth	MHz	-	7.23	-
33dB Bandwidth	MHz	-	7.94	-
40dB Bandwidth	MHz	-	8.01	8.15
Passband Ripple	dB	-	0.55	1.00
Group Delay Variation	nsec	-	100	200
Absolute Delay	µsec	-	3.72	-
Ultimate Attenuation	dB	50	55	-
Substrate Material	-	Yz-LiNbO ₃		
Temperature Coefficient	ppm/°C	-94		

Package Dimension



Matching Configuration



L1=39nH, L2=39nH,
Source / Load Impedance = 50Ω
Ambient Temperature = 25°C

10/18/2006

