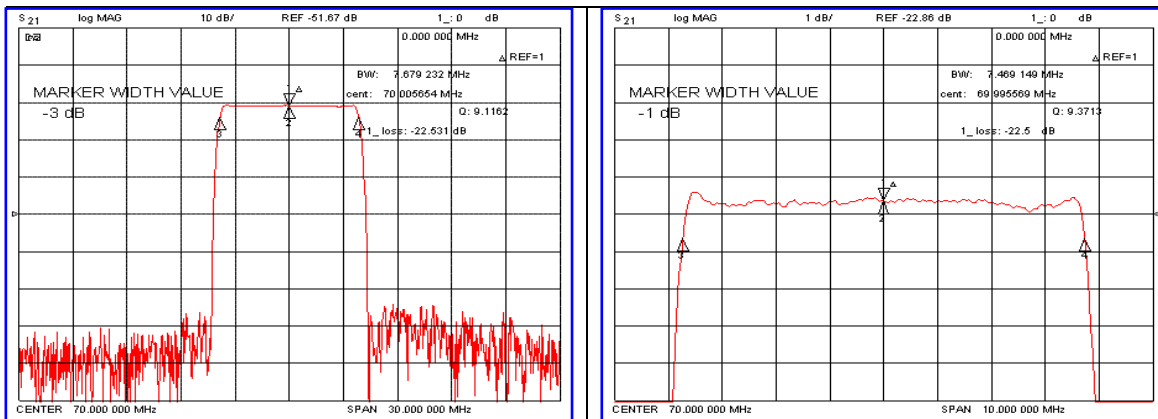


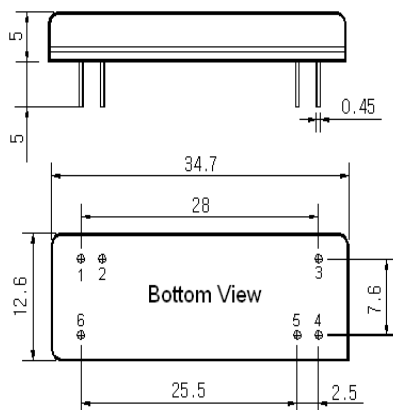
### Typical Performance



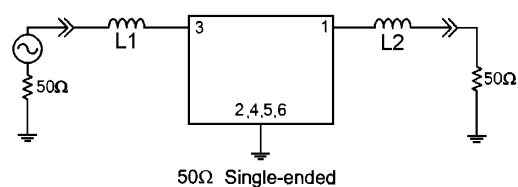
### Specification

Parameter	Unit	Min.	Typ.	Max.
Center Frequency (Fc)	MHz	69.92	70.00	70.08
Insertion Loss	dB	-	22.55	25.00
1dB Bandwidth	MHz	7.30	7.46	-
3dB Bandwidth	MHz	-	7.67	-
40dB Bandwidth	MHz	-	8.56	8.65
Passband Ripple	dB	-	0.55	1.00
Group Delay Variation	nsec	-	85	200
Absolute Delay	µsec	-	3.40	-
Ultimate Attenuation	dB	50	55	-
Substrate Material	-	Yz-LiNbO <sub>3</sub>		
Temperature Coefficient	ppm/°C	-94		

### Package Dimension



### Matching Configuration



L1=39nH, L2=39nH,  
 Source / Load Impedance = 50Ω  
 Ambient Temperature = 25°C

09/25/2006

