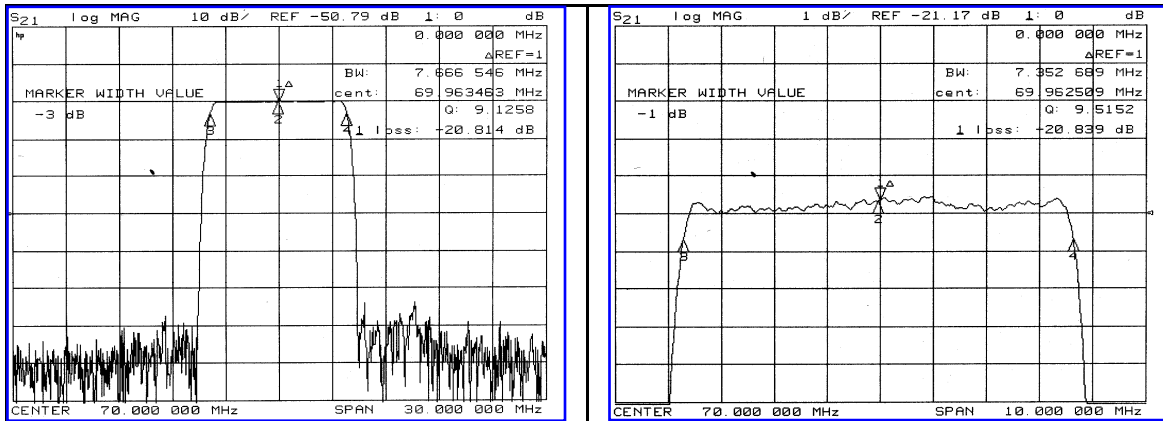


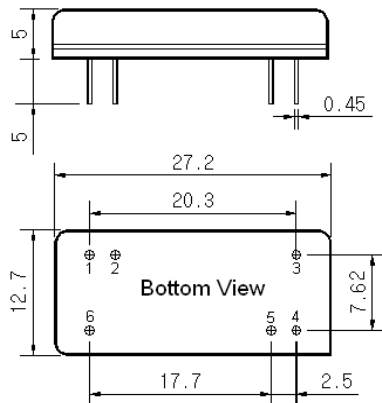
Typical Performance



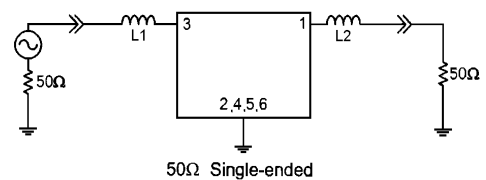
Specification

Parameter	Unit	Min.	Typ.	Max.
Center Frequency	MHz	69.90	70.00	70.10
Insertion Loss	dB	-	20.00	22.00
1dB Bandwidth	MHz	-	7.35	-
3dB Bandwidth	MHz	-	7.66	-
10dB Bandwidth	MHz	-	8.12	-
30dB Bandwidth	MHz	-	8.66	-
Passband Ripple	dB	-	0.55	1.00
Group Delay Variation	nsec	-	80	150
Absolute Delay	μsec	-	2.75	-
Ultimate Attenuation	dB	50	60	
Substrate Material	-	YZ-LiNbO ₃		
Temperature Coefficient	ppm/°C	-94		

Package Dimension



Matching Configuration



L1=56nH , L2=47nH
 Source / Load Impedance = 50Ω
 Ambient Temperature = 25°C

01/11/2006

