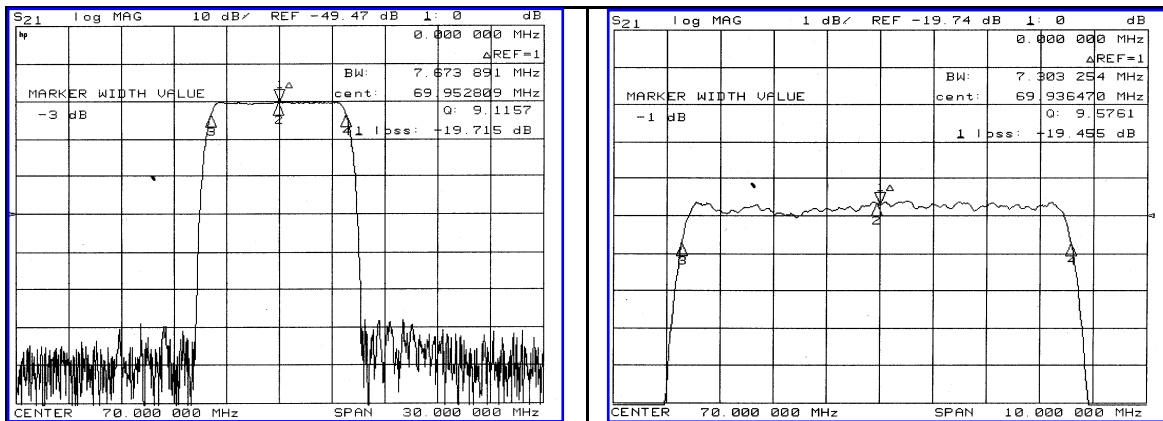


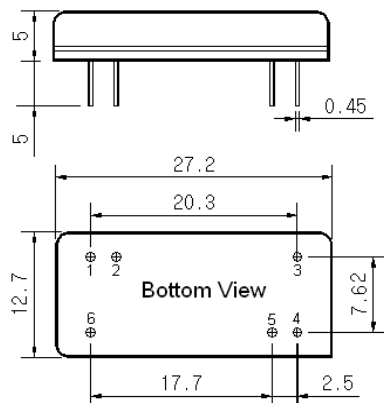
## Typical Performance



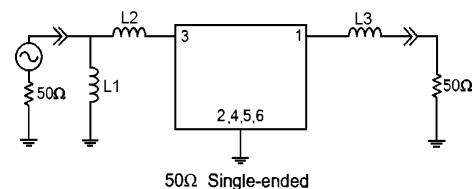
## Specification

Parameter	Unit	Min.	Typ.	Max.
Center Frequency	MHz	69.90	70.00	70.10
Insertion Loss	dB	-	20.00	22.00
1dB Bandwidth	MHz	-	7.30	-
3dB Bandwidth	MHz	-	7.67	-
10dB Bandwidth	MHz	-	8.27	-
30dB Bandwidth	MHz	-	8.98	-
Passband Ripple	dB	-	0.55	1.00
Group Delay Variation	nsec	-	80	150
Absolute Delay	µsec	-	2.25	-
Ultimate Attenuation	dB	50	60	-
Substrate Material	-	YZ-LiNbO <sub>3</sub>		
Temperature Coefficient	ppm/°C	-94		

## Package Dimension



## Matching Configuration



L1=220nH, L2=27nH, L3=56nH  
 Source / Load Impedance = 50Ω  
 Ambient Temperature = 25°C

01/11/2006

