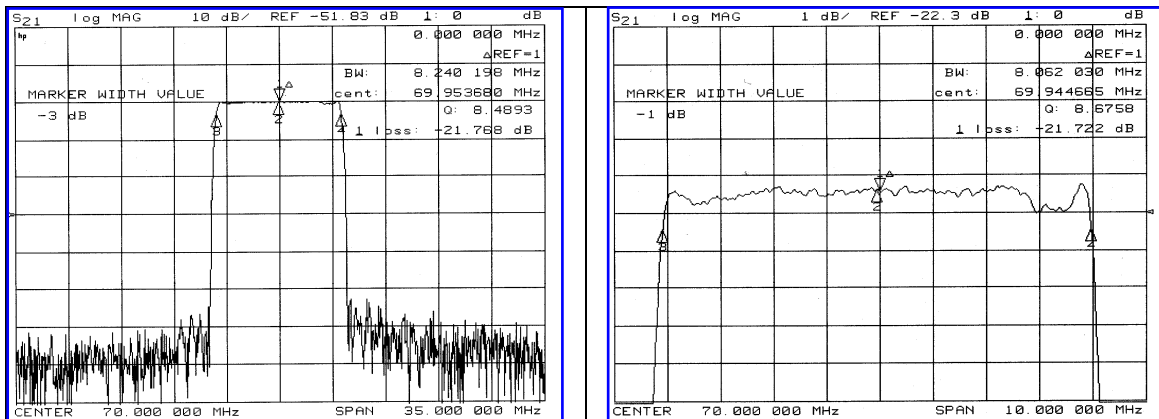


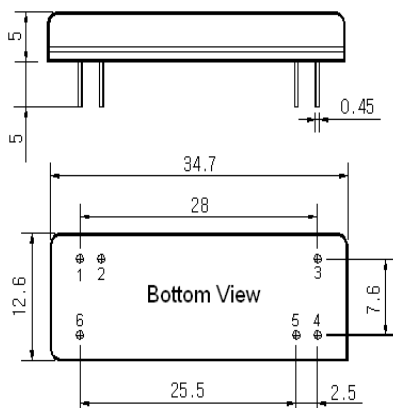
Typical Performance



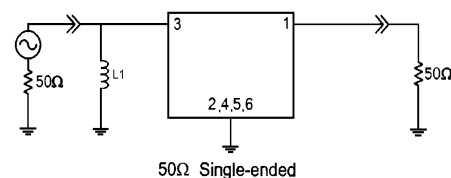
Specification

Parameter	Unit	Min.	Typ.	Max.
Center Frequency	MHz	69.92	70.00	70.08
Insertion Loss	dB	-	22.00	24.00
1dB Bandwidth	MHz	7.90	8.06	-
3dB Bandwidth	MHz	-	8.24	-
20dB Bandwidth	MHz	-	8.76	-
45dB Bandwidth	MHz	-	9.03	9.20
Passband Ripple	dB	-	0.85	1.00
Group Delay Variation	nsec	-	100	200
Absolute Delay	µsec	-	3.80	-
Ultimate Attenuation	dB	48	52	-
Substrate Material	-	128-LiNbO ₃		
Temperature Coefficient	ppm/°C	-72		

Package Dimension



Matching Configuration



L1=270nH
 Source / Load Impedance = 50Ω
 Ambient Temperature = 25°C

02/06/2006

