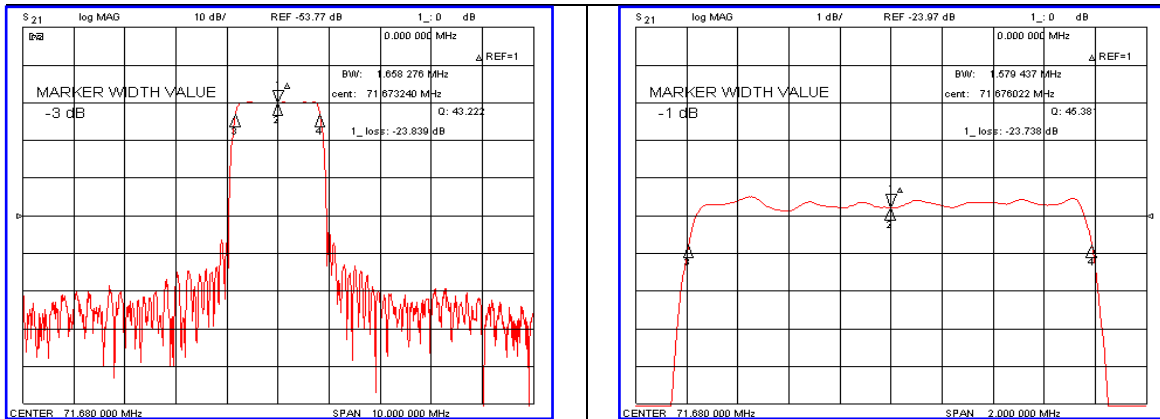


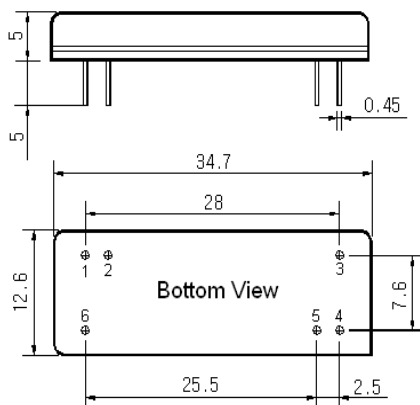
Typical Performance



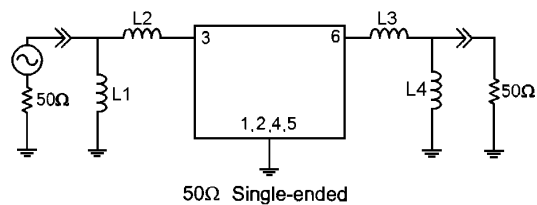
Specification

Parameter	Unit	Min.	Typ.	Max.
Center Frequency	MHz	-	71.68	-
Insertion Loss	dB	-	24.00	26.00
1dB Bandwidth	MHz	1.50	1.57	-
3dB Bandwidth	MHz	-	1.65	-
20dB Bandwidth	MHz	-	1.86	1.92
Relative Attenuation				
$F_c \pm 0.96$ MHz	dB	-	29	-
$F_c \pm 2.496$ MHz	dB	-	50	-
Passband Ripple($F_c \pm 768$ KHz)	dB	-	0.80	1.20
Group Delay Variation	nsec	-	250	350
Absolute Delay	usec	-	4.85	-
Substrate Material	-	Quartz		
Temperature Coefficient	ppm/ $^{\circ}$ C	-0.03		

Package Dimension



Matching Configuration



L1=68nH, L2=68nH, L3=39nH, L4=56nH
 Source / Load Impedance = 50Ω
 Ambient Temperature = 25°C

Rev.0 090724

