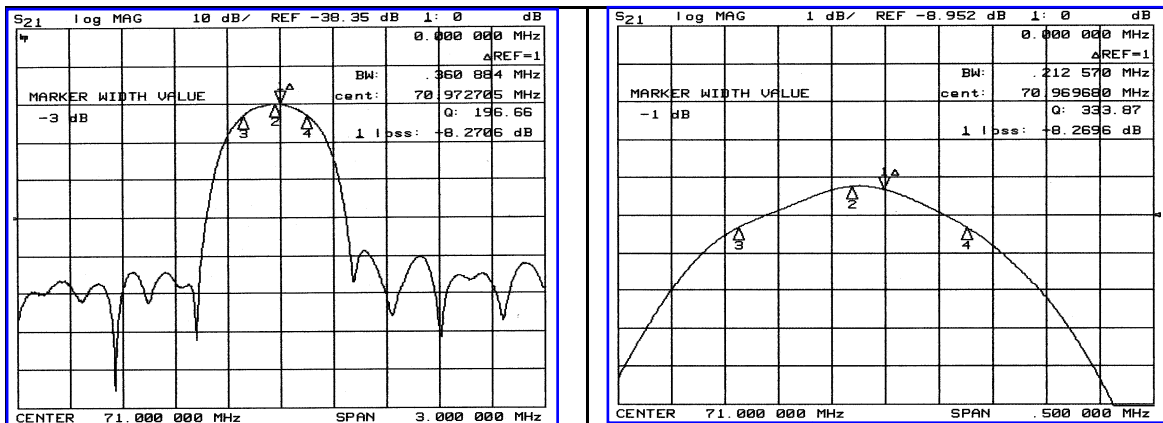


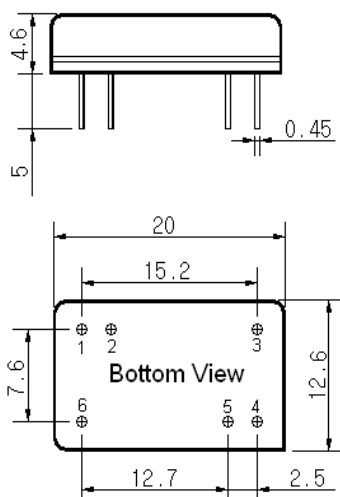
Typical Performance



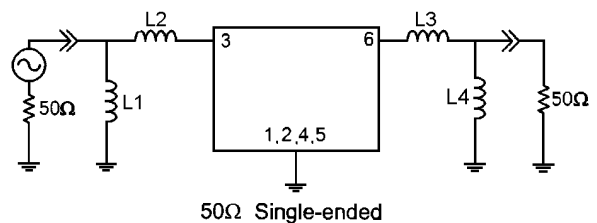
Specification

Parameter	Unit	Min.	Typ.	Max.
Center Frequency	MHz	70.94	71.00	71.06
Insertion Loss	dB	-	8.30	9.50
1dB Bandwidth	MHz	-	0.21	-
3dB Bandwidth	MHz	0.30	0.36	-
30dB Bandwidth	MHz	-	0.79	1.00
Passband Ripple	dB	-	0.45	1.00
Absolute Delay	μsec	-	2.3	-
Ultimate Attenuation($F_c \pm 5\text{MHz}$)	dB	40	45	-
Substrate Material	-	Quartz		
Temperature Coefficient	ppm/°C	-0.03		

Package Dimension



Matching Configuration



L1, L2, L3, L4=T.B.D
 Source / Load Impedance = 50Ω
 Ambient Temperature = 25°C

Rev0. 070406